



**ELECTRIC  
BAIN MARIES**

**INSTRUCTION FOR INSTALLATION AND USE  
DIE GEBRAUCHS UND INSTALLATIONSANWEISUNG  
NOTICE D'INSTALLATION ET D'EMPLOI  
NÁVOD K OBSLUZE A INSTALACI  
UPUTSTVO ZA INSTALACIJU I UPOTREBU**



**BM 704, BM 708, BM 740, BM 780**

**CE**  
1015-22

[www.rmgastro.com](http://www.rmgastro.com)





## **CONTENT**

Declaration of a standards conformity	3
Instruction for use	6
Cleaning and maintenance	7



## **INHALT**

Die Normenübereinstimmungsdeklaration	8
Gebrauchsanweisung	11
Die Reinigung und Instandhaltung	12



## **CONTENU**

Déclaration de conformité	13
Mode d'emploi	16
Nettoyage et entretien	17



## **OBSAH**

Prohlášení o souladu s normami	23
Návod k použití	27
Čistění a údržba	28



## **SADRŽAJ**

Izjava o saglasnosti sa normama	34
Uputstvo za upotrebu	39
Čišćenje i održavanje	40

# DECLARATION OF A STANDARDS CONFORMITY

The producer confirms that the devices agree with 2014/30/EU, 2014/35/EU standards, rule nr. 117/2016 sb., 118/2016 sb. and with relevant government orders. Instalation must be done with respect to valid standards. Attention, the producer refuses any responsibility in case of direct or indirect damages which are caused due to wrong instalation, incorrect intervention or modification, insufficient maintenance, incorrect use and also possibly caused by other reasons presented by items in sale conditions. This appliance is set only for skilled use and must be operated by qualified persons only. Parts set and secured by the producer or accredited person must not be rebuilt by user.

## TECHNICAL DATA

Label with technical data is placed on the back side of the device. Study the electrical diagram of connection and all following information before instalation.

MODEL	VOLTAGE (V/HZ)	WATTAGE (W)	DIMENSIONS (MM)
BM - 704 E	230 / 50	1 600	400 x 730 x 313
BM - 708 E	230 / 50	3 200	800 x 730 x 313
BM - 740 E	230 / 50	1 600	400 x 730 x 897
BM - 780 E	230 / 50	3 200	800 x 730 x 897

## PACKING AND DEVICE CHECK

The device leaves our stocks properly packed with appropriate symbols and labels. There are also appropriate instructions for use. In case the packing shows bad handling or damage, it must be reclaimed at transporter immediately by writing and signing of a damage protocol.

**The product must be re-inspected once a year by a professional service technician. The main parts to be checked are the electrical wiring and the correct functioning of the safety features (safety thermostats, contactors, etc.). In the event that the product is not checked at regular intervals, the manufacturer disclaims liability for any damage incurred.**

Important notice:

-This product is only intended for use inside.

Never use the appliance if it has a damaged supply cable or plug, if it is not working correctly, has fallen to the ground and been damaged or fallen into water. In such cases take the appliance to a professional service in order to verify that it is safe and works correctly.

- only for professional use
- this instructing guide must be read properly and carefully because it contains important information about safety elements, installation, use
- these recommendations refer to this product
- this product corresponds with valid standards
- this guide must be properly deposited for future use
- keep the children away from manipulation with the product
- when selling or moving the product to another place it is necessary to make yourself sure that the staff or the professional service has got acquainted with control and installation instructions from enclosed guide
- only authorised person can operate the product
- it can not be switched on without supervision
- we recommend to have the product checked by professional service min. once a year
- only original spare parts can be used for repairs
- the product can not be cleaned by the water jet or pressure shower
- by damage or break down disconnect all the feeders (water, gas, electricity) and call professional service
- producer refuses any responsibility in case of damages caused by wrong installation, by disobeying of above mentioned recommendations or by other use etc.

## **PLACEMENT**

The device must be installed in well ventilated room what is necessary for regulation of the function of the device (technician must go by valid standard (EN....). If the device is situated close to the wall or if it is in contact with the furniture walls, these walls must resist the temperatures ranging to 90°C. Installation, setting, putting into operation must be done by qualified person who is competent for this and according to the valid standards.

Wrap up the device and check whether it was not damaged during transport. Settle the device on horizontal surface (max imbalance 2°).Settle the device under the fumehood to eliminate water steam and bad smell. The device can be installed separately or in a set with devices of our production. Min. distance 10 cm from other subjects must be kept.It is also necessary to prevent our product from contact with combustible materials. In this case you must make corresponding changes to secure heat izolation of combustible parts. Safety measures from the standpoint of the fire protection according to EN 061008čl. 21:

## **TECHNICAL INSTRUCTIONS FOR INSTALATION AND REGULATION**

### **Important:**

The manufacturer does not provide warranty for defects caused by improper use, failure to instructions contained in the attached instructions for use and mistreatment of the appliances.

Installation, adjustment and repair of appliances for kitchens, as well as their removal because of possible damage to the gas can be carried out only under a maintenance contract, this contract may be signed with an authorized dealer, and must be complied with regulations and technical standards and regulations regarding the installation, power supply, gas connection and health & safety system.

These instructions are intended for the qualified technician who must perform the installation, put it into operation and test the appliance.

Any activity as settings, placement, rebalancing etc, must be made only when is device disconnected from electricity. If it is necessary to have the device connected to the electricity you must keep the highest attention to avoid any injuries.

### **DEVICE INSTALATION**

Installation, setting, rebuilding for another gas type, putting into operation must be done by qualifi ed person whois competent for this and according to the valid standards. The device can be installed in good ventilated room. When it is possible place the device under the fumehood to suck off the products of combustion. Air needy to the burning is 2m<sup>3</sup>/h/kW ot the performance of the instaled device. The device can be installed separately or in a set with devices of our production. Min. distance 10 cm from other subjects must be kept.It is also necessary to prevent our product from contact with combustible materials. In this case you must make corresponding changes to secure heat izolation of combustible parts (for example:place between the device and combustible material azbestos plate).

## CONNECTION OF THE ELECTRIC CABLE TO THE ELECTRICITY

Installation of electric feeder - This feeder must be separately protected by a safety fuse according to the specific electric stream which depends on the wattage of the installed device. Check the wattage on the label at the back of the device. Connect the device directly to the electricity but you must put the switch between the device and electric net. The switch must be placed in min. distance 3 mm between the particular contacts according to the standards and loading. The feeder of grounding (yellow-green) cannot be interrupted by this switch. In every case feeding cable must be placed so that no point of the cable will reach the temperature which is 50°C higher than the temperature of the surrounding. Before connecting the device check that:

- safety fuse of the feeder and inner mains can stand the loading of the device (see label of the matrix)
- mains are equipped with effective grounding according to standards (ČSN) and conditions given by law
- socket or switch of the feed is well accessible from device

We refuse any responsibility in case of not respecting above mentioned rules. Before the first use it is necessary to remove all the protection foil and to clean the device - see chapter „cleaning and maintenance“.

Maintenance: We recommend to have the device checked once a year by the professional service. Only qualified or competent persons can do interventions in the product.

## SAFETY MEASURES FROM THE STANDPOINT OF THE FIRE PROTECTION ACCORDING TO EN 061008 ČL. 21

- only adults can operate the device
- device must be safely used in common surroundings according to EN 332000-4-462; EN 332000-4-42. You must switch the gas device off under the circumstances leading: to the danger of the temporary rise of the combustion gas or steam or during works when there is a big possibility of rise of the temporary fire danger or explosion (for example: to stick linoleum, PVC etc.).
- before you start to install the device you must get the licence for connection to the gas feeder from the gasworks
- device must be placed so as to stand or hang on the noncombustible surface which is on each side 10 cm larger than the device. No subjects from combustible materials can be placed directly on the device or in distance which is shorter than safety distance (the shortest distance is 50 cm in the direction of the heat emission and 10 cm in other directions).- safety distances from various materials of different degree of combustion and information about the degree of comb. of common building materials - see chart:

### Chart:

Combustion degree of building materials classified according to the combustion degree of materials and products (EN 730823)

A noncombustible	granit, sandstone, concretes, bricks, ceramic wallfacing tiles, plaster
B uneasily combustible	akumine, heraklite, lihnos, itavere
C1 hardly combustible	leafy wood, plywood, sirkoklit, rare paper formica
C2 middle combustible	fibreboards, solodure, cork boards, rubber, floor-coverings
C3 easily combustible	wood-fibreboards, polystyrene, polyurethane, PVC

Devices must be installed in a safe way. When installing you must respect corresponding project, safety and hygienic orders according to:

- EN 061008 fire protection of local devices and sources of heat
- EN 332000 (33 2000-4-482; 33 2000-4-42) surrounding for electric devices ČSN EN 1775 Gas supplying
- Gas fittings in the buildings - the highest operational pressure < 5 bar - operation demands
- § 10 law nr. 185/2001 Sb. about waste

# INSTRUCTION FOR USE

Attention! Before the first use of the device you must wash the device with cleaning cloth dipped in the water with detergent. Than wipe it with moist cleaning cloth dipped in clean water.

Fill the device with water to the high of max 2 cm. Turn the knob (A) from the position „0“ to required position between 30°C - 90°C. Pilot lamp indicates that the device in on. Pilot lamp (C) lights when thermo spirals are on. Pilot lamp (D) goes out when the device reaches required temperature.

Switch the device off by turning the knob (A) into position „0“. Check the level of the water, never use the device without water. Use the device under supervision. The device must be fully occupied with the gastrobowls. If the bains are not fully occupied with the gastro bowls, you must cover the empty spaces with the gastro covers to prevent escape of the warm and water steam.

- safety fuse of the feeder and inner mains can stand the loading of the device (see label of the matrix)
- mains are equipped with effective grounding according to standards (EN) and conditions given by law
- socket or switch of the feed is well accessible from device

We refuse any responsibility in case of not respecting above mentioned rules. Before the first use it is necessary to remove all the protection foil and to clean the device - see chapter „cleaning and maintenance“.

Maintenance: We recommend to have the device checked once a year by the proffesional service. Only qualified or competent persons can do interventions in the product.



## DISCHARGING OF THE BATH

Discharge the bath when the water is cold and the device is disconnected from the electricity. User must have convenient bowl for discharging the bath. This bowl must be made from heat-resistant material. Put the bowl in the safe place to prevent discharging water from splashing. Splashing can cause the danger. Put on the discharging pipe, open the safety catch by turning it up and turn the lever into position marked as opening of the valve. Discharge the bath only when the water is cold.

## **CLEANING AND MAINTENANCE**

It is recommended to have the device checked by the professional service min. once a year. All interventions must be done by qualified person who is competent for this.

### **ATTENTION!**

The device cannot be cleaned by direct or pressure water. Clean it daily. Daily maintenance keeps longer useful life and efficiency of the device. Before cleaning make sure to have disconnected the device from electricity. Always switch off the main feeder to the device. Stain-less parts wash with moist cleaning cloth and detergent without groove parts than wash it with clean water and dry it by the cloth. Do not use abrasive and corrosive detergents.

### **WHAT TO DO IN CASE OF BREAK-DOWN**

Switch off the electric feeder and call seller's professional service.

### **INDICATION:**

Guarantee does not cover all consumption parts succumable to common wear (rubber seals, bulbs, glas and plastic parts etc.). The guarantee does not refer to the devices which were not instaled in correspondance with instructions - by qualified worker, in confirmity with standards and when somebody handled incompetently the device (interventions into inner equipment) or the device was operated by nonqualified staff or at variance with instructions for use. Guarantee does not also cover the damages caused due to influence of nature or other outer intervention.



# DIE NORMENÜBEREINSTIMMUNGSDEKLARATION

Der Produzent erklärt, daß die Geräte in einer Übereinstimmung mit den Vorschriften der 2014/35/EU, 2014/30/EU dem Gesetz Nr. 118/2016 sb., 117/2016 sb. der Sammlung und zugehörigen Regierungsverordnungen stehen. Die Installation muss mit der Absicht auf geltende Normen durchgeführt werden. Vorsicht, im Falle einer direkten oder indirekten Beschädigung, die sich auf falsche Installation, unrichtigen Eingriff oder Anpassungen, ungenügende Instandhaltung, unrichtige Verwendung beziehen, und welche eventuell durch andere Ursachen, als in Punkten der Verkaufsbedingungen angeführt ist, so verzichtet der Importeur auf jegliche Verantwortung. Dieses Gerät ist nur für fachliche Verwendung bestimmt und muß durch qualifizierte Person bedient werden. Teile, die nach der Einstellung durch den Hersteller oder durch befugte Person gesichert wurden, dürfen vom Benutzer keineswegs umgestellt werden.

## DIE TECHNISCHEN DATEN

Das Schild mit technischen Angaben ist auf der Rückseite des Gerätes angebracht. Studieren sie vor der Installation das elektrische Schema der Einschließung und alle folgende Informationen durch.

MODEL	SPANNUNG (V/HZ)	ANSCHLUSSWERT (W)	ABMESSUNG (CM)
BM - 704 E	230 / 50	1 600	400 x 730 x 313
BM - 708 E	230 / 50	3 200	800 x 730 x 313
BM - 740 E	230 / 50	1 600	400 x 730 x 897
BM - 780 E	230 / 50	3 200	800 x 730 x 897

## DIE VERPACKUNGS-, UND VORRICHTUNGSKONTROLLE

Die Vorrichtung verlässt unsere Lager in ordentlicher Verpackung, auf deren die entsprechenden Symbole und Bezeichnungen stehen. In der Verpackung befindet sich entsprechende Bedienungsanleitung. Falls die Verpackung eine schlechte Behandlung oder Anzeichen der Beschädigungen vorweist, muß dieses sofort beim Transporteur reklamiert werden und zwar durch Unterzeichnung eines Schadensprotokolles.

**Das Produkt muss einmal im Jahr von einem professionellen Servicetechniker überprüft werden. Dabei sind vor allem die elektrische Verkabelung und die Funktionstüchtigkeit der Sicherheitseinrichtungen (Sicherheitsthermostate, Schütze usw.) zu überprüfen. Wird das Produkt nicht regelmäßig überprüft, lehnt der Hersteller jede Haftung für eventuelle Schäden ab.**

## Wichtige Hinweise

-Das Erzeugnis ist nur zur Verwendung im Innenraum bestimmt.

Verwenden Sie den Verbraucher nie, wenn die Speisezuleitung oder der Stecker beschädigt sind, das Gerät nicht richtig arbeitet, ist auf den Boden gefallen und hat sich beschädigt oder ist ins Wasser gefallen. Bringen Sie in solchen Fällen den Verbraucher zu einem Fach-Kundendienst zur Überprüfung seiner Sicherheit und richtiger Funktion.

- Nur für professionellen Verbrauch geeignet
- Diese Bedienungsanleitung muss ordentlich und bedächtig gelesen werden, weil sie wichtige Informationen über Sicherheitsmerkmale, Installation und Anwendung beinhaltet
- Diese Empfehlungen beziehen auf diesen Produkt
- Der Produkt entspricht geltenden Normen
- Diese Anleitung muß ordentlich für die zukünftige Verwendung hinterlegt werden
- Hindern Sie den Kinder an Vorrichtungsmanipulation
- Beim Verkauf oder Verlegung ist es notwendig sich zu überzeugen, daß die Bedienstperson oder Fachservis sich mit der Beherrschung und Installationsanleitung in beiliegender Anleitung, anvertraut gemacht haben.
- Das Produkt darf nur eingeschulte Bedienung bedienen
- Das Produkt darf nicht ohne Aufsicht ins Betrieb gesetzt sein
- Es ist empfohlen, minimal einmal pro Jahr eine Fachkontrolle durchführen zu lassen
- Bei eventueller Reparatur der Teilenumtauschungen müssen ausschließlich Originalteile angewendet werden
- Das Produkt darf nicht durch einen Wasserstrahl oder Druckbrause gereinigt werden
- Schalten Sie alle Leitungen (Wasser, Elektrizität, Gas) bei einer Störung oder beim schlechten Lauf aus und rufen Sie autorisierten Service an
- Der Hersteller verzichtet auf jegliche Verantwortung bei Störungen, die durch fehlerhafte Installation, Nichteinhaltung o.a. Empfehlungen, andere Verwendung u.ä, verursacht wurden



## **DIE PLATZIERUNG**

Um das Gerät ordnungsgemäß zu betreiben und aufzustellen, müssen alle vorgeschriebenen Vorschriften und Gesetze des Landes beachtet werden.

Packen Sie das Gerät aus und vergewissern Sie sich, dass das Gerät nicht durch den Transport beschädigt worden ist. Stellen Sie das Gerät auf eine waagerechte Fläche (maximale Unebenheit bis zu 2°). Kleinere Unebenheiten können durch Stellfüße ausgeglichen werden.

Wenn das Gerät an Möbelwänden aufgestellt wird, müssen diese einer Temperatur von bis zu 60°C standhalten können. Die Installation, Einstellung und Inbetriebnahme muss von einer qualifizierten und dazu befugten Person gemäß den geltenden Normen durchgeführt werden.

Das Gerät kann separat oder in Reihe mit Geräten aus unserer Produktion installiert werden. Es muss ein Mindestabstand von 10 cm zu brennbaren Materialien eingehalten werden. In diesem Fall ist es notwendig, für entsprechende Anpassungen zu sorgen, um die Wärmedämmung der brennbaren Teile zu gewährleisten.

Das Gerät darf nur auf einer nicht brennbaren Fläche oder an einer nicht brennbaren Wand aufgestellt werden.

**Der minimal erforderliche Außenluftstrom für Geräte der Ausführung A liegt je nach Gerätetyp zwischen 5 und 20m<sup>3</sup>/h. Dies hängt von den Installationsvorschriften des Bestimmungslandes ab.**

**Die vom Hersteller oder seinem Vertreter gelieferten Geräteteile dürfen vom Installateur nicht umgebaut werden.**

**Das Gerät muss in einer angemessen belüfteten Umgebung installiert werden.**

## **TECHNISCHE HINWEISE ZUR INSTALLATION UND REGELUNG**

### **Wichtig:**

Zur Benützung AUSSCHLIEßLICH nur für spezialisierte Techniker  
Instruktionen, die folgen, wenden sich an den Techniker, der für die Installation qualifiziert ist, damit er alle Operationen mit der korrektesten Weise und laut der gültigen Normen durchführt.

### **Wichtig**

Jeweils irgendeine Tätigkeit, die mit der Regulation verbunden ist u.ä, muß nur mit der aus dem Netz ausgezogenen und abgeschalteten Einrichtung vollgezogen sein.  
Solange das Gerät unter der Spannung notwendig zu halten ist, eine höchste Vorsicht zu beachten vorliegt.

# **DIE SICHERHEITSVORRICHTUNGEN AUS DER SICHT DES FEUERSCHUTZES LAUT EN. 061008 ČL. 21**

Die Einrichtungsbedienung dürfen nur Erwachsene ausführen

- Das Gerät darf sicher in gewöhnlicher Umgebung laut EN 332000-4-482; EN 332000-4-42 verwendet werden.
- Es ist notwendig das Gerät so platzieren, daß es auf einer unbrennbaren Grundlage steht oder hängt.
- Es dürfen, auf und in eine Entfernung, die kleineremase als sicher vom Gerät bezeichnet wird, keine Gegenstände aus brennbaren Materilien (die kleinste Entfernung vom Brennbarem ist 10 cm) aufgestellt werden.
- Die sicheren Entfernungen von Massen der einzelnen Brenngra

## **Tabelle:**

Baumassefeuerbrenngrad ins Brenngrad (EN) der Massen und Produkte eingegliedert

A	Unbrennbar	Granit, Sandstein, beton, Ziegel, Keramikbekleidung, Putz
B	nicht einfach brennbar	Akumin, Heraklit, Lihnos, Itaver
C1	schwer brennbar	Holz, Laubbaum, Furnier Sirkoklit, Festpapier, Umakart
C2	mittel brennbar	Holzspanplatten, Solodur, Korkplatten, Hartgummi, Bodenbeläge
C3	leicht brennbar	Holzfasерplatten, Polystyren, Polyureten, PVC

Die Bedarfsartikel müssen sicher installiert werden und sind mit regulierenbaren Beinchen - zur Ausgleichen der Höhe und der Unebenheiten eingestattet.

Die Geräte müssen in einer sicheren Weise installiert werden. Bei der Installation müssen weiter betreffende Projekt-, Sicherheits-, und Hygienevorschriften respektiert werden.

- EN 06 1008 Feuerschutz der örtlichen Geräte und der Wärmquellen
- EN 33 2000 (33 2000-4-482; 33 2000-4-42) Umgebung für elektrische Geräte
- Gasversorgung -Gasleitungen in Gebäuden - Höchste Verkehrsdruck ≤ 5 BarVerkehrsansprüche,
- § 10 des Gesetzes Nr.185/2001 Sb., der Abfälle betrifft.

## **DER ELEKTRISCHE KABELNETZANSCHLUSS**

Die Installation der elektrischen Ankupplung - Diese Zuleitung muß selbstständig gesichert werden. Und das durch entsprechende Sicherung des Nennstromes in der Abhängigkeit am Anschlußwert des installierten Gerätes. Kontrollieren sie den Anschlußwert des Apparates auf dem Produktionsschild im Hinterteil des Gerätes. Schließen Sie das Gerät direkt ans Netz an.

Es ist unbedingt notwendig zwischen das Gerät und das Netz einen Schalter zu legen, der eine minimale Entfernung von 3mm unter den Einzelkontakten aufweist und der auch den geltenden Normen und Belastungen entspricht. Die Erdungszuleitung (gelbgrün) darf nicht durch diesen Schalter unterbrochen sein.

Der Zuleitungskabel muß in jedem Fall so angebracht sein, dass er in keinem Punkt einer um 50°C höherer Temperatur als Umgebungstemperatur nicht erreicht. Eher das Gerät ans Netz angeschlossen wird, versichern Sie sich, dass:

- die Zuleitungssicherung und die Innenscheidung die Einrichtungsbelastung ertragen (siehe Matriceschild),
- die Verteilung mit wirksamer Erdung laut Normen (EN) und Gesetzbedingungen ausgestattet ist

**WIR VERZICHTEN AUF JEGLICHE VERANTWORTUNG IM FALLE, DASS DIESE NORMEN NICHT RESPEKTIERT WERDEN UND IM FALLE DER NICHEINHALTUNG DER OBENERWÄHNTER GRUNDSÄTZE.**

Es ist notwendig die Schutzfolie vor der ersten Benützung zu beseitigen, sowie das Gerät zu reinigen siehe das Kapitel „Reinigung und Instandhaltung“.

## GEBRAUCHSANWEISUNG:

### Vorsicht!

Bevor Sie das Gerät benutzen beginnen, ist es wichtig das Gerät gut mit Wasser und Waschmittel waschen und dann mit weichem Tuch abreiben.

Füllen Sie das Gerät mit Wasser bis Höhe von max 2 cm. Drehen Sie den Regler (A) aus der Position „0“ in den von Ihnen geforderten Wert im Bereich von 30°C - 90°C. Der Betrieb signalisiert die Kontrollampe im Schalter. Die Kontrollampe (C) leuchtet, wenn die Wärmespiralen im Betrieb sind. Die Kontrollampe (C) löscht, wenn das Gerät die eingestellte Temperatur erreicht.

Das Gerät schalten Sie aus, wenn Sie den Regler (A) in die Position „0“. Der Wasserspiegel ist ständig zu überprüfen. Das Gerät darf niemals ohne Wasser benutzt werden. Das Gerät muß immer unter Aufsicht sein und voll mit Gastrogefäßen besetzt sein. Wenn die einzigen Wannen nicht voll mit Gastrogefäßen besetzt sind, muss man die freie Plätze mit Deckungen zur Gastrogefäßen decken, um Wasser- und Dampf-fluchten zu verhindern.

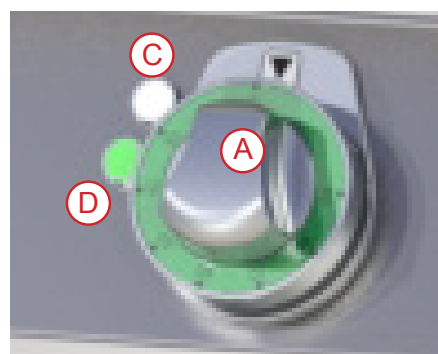
Bei Platzierung den fahrbaren Modellen muss man die Rollen bremsen. Bei ständigen Modellen ist es wichtig das Gerät mit stellbaren Beinchen ausgleichen.

## AUSLASSEN DER WANNE

Das Wasser muß aus der Wanne kühl ausgegossen werden und das Gerät darf nicht elektrisch angeknüpft sein. Man muß ein angemessener Wasserbehälter fürs Wasser aus dem Gerät besorgen. Dieser Behälter muß aus einem wärmebeständigen Werkstoff bestehen und muß so stehen, daß das Wasser nicht verspritzt und gefährlich sein kann. Der Öffnungshebel stehen Sie in Position offen und damit lassen Sie das Wasser aus. Lassen Sie die Wanne aus, wenn das Wasser kühl ist.

## Bemerkunge und Empfehlunge

Benützen Sie das Gerär nur unter ständigen Aufsicht.



- (A) REGLERDREHKNOFF
- (B) WASSERVERSORGUNG
- (C) LED
- (D) LED
- (E) AUSLASSVENTIL

## **DIE REINIGUNG UND INSTANDSHALTUNG**

ACHTUNG! Die Einrichtung darf nicht mit Direkt-, oder Druckwasserstrahl gereinigt werden. Reinigen Sie das Gerät täglich. Die Lebensdauer und Gerätewirkung wird durch die tägliche Wartung gewährleistet. Überzeugen Sie sich, vorm Reinigungsanfang, dass Sie die Einrichtung vom Elektrostrom abgeschaltet haben. Schalten Sie immer die Gerätehauptzufuhr ab. Waschen Sie die Edelstahlteile mit feuchtem Waschlappen, der im Waschpulver getauft ist und keine grobe Teilchen aufweist. Wischen Sie alles ins Trockene ab. Verwenden Sie keine abrasive- oder korrosionsreiche Reinigungsmitteln.

### **WIE MAN IM FALLE EINER STÖRUNG VORANGEHEN SOLL**

Schalten sie die elektrische Stromleitung ab und rufen die Serviceorganisation des Verkäufers an.

### **HINWEIS**

Die Garantie bezieht sich nicht auf alle Verbrauchsteile, die der geläufiger Abnutzung unterstehen (gesamte Gummidichtungen, Glühlampen, alle glasernde und plastiche Teile, usw.). Die Garantie bezieht sich nicht weiterhin auf Einrichtungen, die durch befugte Person laut Anweisung und entsprechender Normen nicht installiert worden sind und wenn mit dem Gerät unfachmännisch manipuliert wurde (Eingriffe ins Innere) und auf Beschädigungen durch Natureinflüsse oder Ausseneingriffe.

# DÉCLARATION DE CONFORMITÉ

Le fabricant certifie la conformité des appareils aux normes 2014/30/EU, 2014/35/EU à la loi n° 117/2016 sb., 17/2003 sb. et aux décrets applicables. L'installation doit être effectuée dans le respect des normes en vigueur. Attention: le fabricant décline toute responsabilité en cas de dommages, directs ou indirects, causés par une mauvaise installation, par une utilisation, des interventions ou des modifications impropres, par un entretien insuffisant, ainsi qu'en cas de dommages dérivant des causes mentionnées dans les conditions de vente. L'appareil objet de la présente notice est prévu pour un usage professionnel, aussi son utilisation doit-elle être confiée à un personnel possédant les compétences nécessaires à cet effet. L'utilisateur ne doit procéder à aucune intervention ni à aucune modification sur les parties réglées et protégées par le fabricant ou autre personnel autorisé à cet effet.

## CARACTÉRISTIQUES TECHNIQUES

L'étiquette sur laquelle figurent les caractéristiques techniques est apposée sur la partie postérieure de l'appareil. Avant de procéder à l'installation, prendre connaissance du schéma électrique et de toutes les informations que contient la présente notice.

MODEL	TENSION (V/HZ)	PUISSANCE (W)	DIMENSIONS (CM)
BM - 704 E	230 / 50	1 600	400 x 730 x 313
BM - 708 E	230 / 50	3 200	800 x 730 x 313
BM - 740 E	230 / 50	1 600	400 x 730 x 897
BM - 780 E	230 / 50	3 200	800 x 730 x 897

## CONTROLE DE L'EMBALLAGE ET DE L'APPAREIL

En vue de son transport, l'appareil quitte les établissements du fabricant parfaitement emballé (sur l'emballage sont apposés les étiquettes et les symboles nécessaires à cet effet). L'emballage contient également la notice des instructions d'utilisation. Dans le cas où l'emballage présenterait des dommages ainsi que dans le cas où il s'avérerait qu'il a été manipulé sans les précautions nécessaires, il est impératif d'adresser sans attendre une déclaration au transporteur en y joignant une acceptation de la marchandise sous réserve.

**Le produit doit être inspecté une fois par an par un technicien professionnel. Les principaux éléments à vérifier sont le câblage électrique et le bon fonctionnement des dispositifs de sécurité (thermostats de sécurité, contacteurs, etc.). Si le produit n'est pas contrôlé à intervalles réguliers, le fabricant décline toute responsabilité pour les dommages éventuels.**

### Recommandation importante:

-Le produit est destiné uniquement à un usage intérieur.

N'utilisez jamais cet appareil si le cordon ou la fiche sont endommagés, si l'appareil fait défaut, s'il a été échappé ou endommagé ou immergé. Dans ce cas, retournez cet appareil au centre service autorisé pour examen.

- Pour usage professionnel seulement
- La présente notice des instructions d'utilisation et d'entretien contient d'importantes informations relatives à la sécurité, à l'installation et à l'utilisation; il est nécessaire d'en effectuer attentivement la lecture.
- Les recommandations se réfèrent à l'appareil objet de la présent notice.
- L'appareil est conforme aux normes en vigueur.
- Veiller à bien conserver la notice de telle sorte qu'elle puisse être consultée à tout moment en cas de besoin.
- Ne pas laisser des enfants s'approcher de l'appareil durant son utilisation.
- Pendant la vente ou après le déménagement de l'appareil vérifier que le personnel lise attentivement la présente notice d'utilisation
- L'appareil ne peut être utilisé que par le personnel instruit
- L'appareil ne peut être laissé en marche sans surveillance
- Il est recommandé de faire l'appareil contrôler au moins une fois par an dans un service spécialisé
- Ne pas utiliser que des pièces détachées originelles.
- En cas de défaut ou de mavaise fonction, débrancher l'appareil (eau, gaz, électricité) et appeler un service spécialisé
- Le fabricant décline toute responsabilité en cas de dommages, directs ou indirects, causés par une mauvaise installation, utilisation , etc

## **LA LOCATION**

Le local dans lequel l'appareil est installé doit être bien ventilé. Si l'appareil doit toucher le parois, celui-ci doit résister à la chaleur de 90°C au minimum. L'installation, le réglage et la mise en marche doivent être effectués par une personne qualifiée ayant une autorisation nécessaire selon les normes en vigueur.

Déballez l'appareil et vérifiez s'il n'était pas endommagé pendant le transport. Placez l'appareil sur une surface horizontale (pente maximale de 2°). Placez l'appareil sous une hotte pour éliminer la vapeur et mauvaise odeur.

L'appareil peut être installé seul ou en série avec d'autres appareils de notre fabrication. Il faut respecter la distance minimale de 10 cm entre l'appareil et d'autres objets ainsi qu'éviter le contact avec les matériaux inflammables. Dans ce cas il faut prévoir les arrangements nécessaires pour assurer la protection des parties inflammables.

## **INSTRUCTIONS TECHNIQUES POUR INSTALLATION ET REGLEMENT**

### **Important:**

Le fabricant ne fournit pas de garantie pour les défauts causés par l'usage, tout manquement impropre aux instructions contenues dans les instructions ci-jointes pour l'utilisation et aux mauvais traitements des appareils.

Installation, réglage et réparation d'appareils pour les cuisines, ainsi que leur élimination en raison de dommages possibles au gaz peut être effectuée qu'en vertu d'un contrat de maintenance, ce contrat peut être signé avec un distributeur agréé, et doivent être conformes à la réglementation technique et normes et réglementations concernant l'installation, l'alimentation, de raccordement de gaz et de la santé et la sécurité du système.

Ces instructions sont destinées au technicien qualifié qui doit effectuer l'installation, le mettre en marche et tester l'appareil.

Toute activité en tant que paramètres, le placement, le rééquilibrage etc, doit être faite que lorsqu'il est périphérique déconnecté de l'électricité. Si il est nécessaire d'avoir le périphérique connecté à l'électricité, vous devez garder la plus grande attention afin d'éviter toute blessure.

## BRANCHEMENT ÉLECTRIQUE

Installation de prise de courant – La prise de courant doit avoir un coupe-circuit indépendant en dépendance de puissance fournie de l'appareil. Vérifiez la puissance de l'appareil sur la plaque des caractéristiques techniques.

Branchez l'appareil directement au réseau, il faut mettre un interrupteur entre le réseau et l'appareil, son ouverture de contacts étant 3 mm au minimum. Câble de terre (vert-jaune) ne peut pas être interrompu par cet interrupteur. En tout cas, le câble de prise de courant doit être placé de telle manière que sa température ne dépasse jamais la température du milieu de plus que 50°C. Avant le branchement au réseau, s'assurer que :

- le coupe-circuit et distribution intérieure peuvent endurer la charge de l'appareil (voir la plaque)
- la mise à la terre fonctionne selon les normes en vigueur (EN) et selon la loi
- la prise ou l'interrupteur de circuit sont faciles d'accès

Le fabricant rénonce à toute responsabilité en cas que les normes ne seront pas respectés ainsi qu'en cas de dérogation des règles mentionnés ci-haut.

**Avant la première utilisation**, il faut retirer le film de protection et nettoyer l'appareil – voir chapitre « nettoyage et entretien ».

### Entretien:

Il est recommandé de faire contrôler l'appareil dans un service spécialisé au moins une fois par an. Toutes les interventions peuvent être effectuées seulement par une personne qualifiée ayant une autorisation pour ces interventions.



-N'introduisez pas la fiche du cordon dans la prise de courant et ne débranchez pas l'appareil de la prise électrique si vos mains sont mouillées ou en tirant sur le cordon électrique !

-N'utilisez pas de rallonge ou de multiprise.

## MÉSURES DE SÉCURITÉ POUR LA PROTECTION CONTRE INCENDIE SELON EN 06 1008 ARTICLE 21:

- l'appareil ne peut être utilisé que par des personnes majeures
- l'appareil peut être utilisé dans un espace ordinaire selon EN 332000-4-482; 332000-4-42
- l'appareil doit être placé ou suspendu d'une manière stable sur une surface ininflammable

Il est interdit de placer sur l'appareil ou dans la distance inférieure à 10 cm de l'appareil des objets inflammables.

- les distances de sécurité pour les matériaux inflammables selon leurs degré d'inflammabilité et les informations sur l'inflammabilité des matériaux de construction – voir le tableau

### Tableau:

degré d'inflammabilité d'un matériel de construction (EN 730823)

A ininflammables	granit, grès, béton, briques, carrelage céramique, enduit
B difficilement inflammables	acumin, héraclite, lihnos, itaver
C1 mal inflammables	bois des arbres feuillus, contre-plaqué, papier durci, umakart
C2 inflammabilité moyenne	aggloméré, solodur, liège, caoutchouc, revêtements
C3 inflammabilité facile	planches de fibre de bois, polystyrène, polyurethane, PVC

L'appareil doit être installé d'une manière sûre. Pour l'ajustage de l'appareil est ce-ci procuré des pieds réglables.

- EN 06 1008 protection contre incendie des consommateurs d'énergie locaux et des émetteurs de chaleur
- EN 33 2000 (33 2000-4-482; 33 2000-4-42) le milieu pour les appareil électriques



## MODE D'EMPLOI

### Attention !

Avant la première utilisation, il faut laver l'appareil à l'aide d'un torchon humide et d'un détergent. Rincer et sécher.

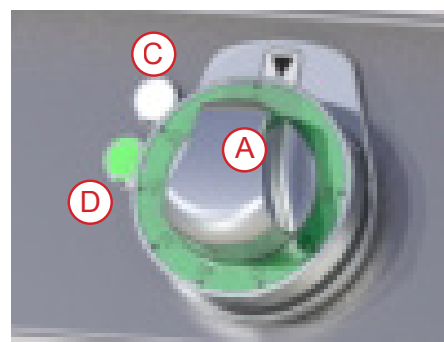
Remplir l'appareil d'eau jusqu'au trait sur le côté du bac. Tourner le dispositif de commande (E) de la position « 0 » à la position marquante la température désirée (entre 30°C et 90°C). Les témoins lumineux (C) et (D) sont allumés. Le témoin lumineux (C) brille quand l'appareil est sous le courant. Le témoin lumineux (D) brille quand les résistances de chauffage travaillent. Le témoin lumineux (D) s'éteint quand la température désirée est atteinte. Pour éteindre l'appareil – tourner le dispositif de commande (E) jusqu'à la position « 0 ». Toujours vérifier le niveau d'eau, ne jamais utiliser l'appareil sans eau. À utiliser seulement sous surveillance et équipé des gastro-bacs correspondants.

## VIDANGE DU BAC

Vider le bac uniquement quand l'eau est froide et quand l'appareil est débranché. Se procurer d'un récipient approprié à recueillir l'eau. Ce récipient doit être en matériel résistant à la chaleur et doit être placé de telle manière que l'eau n'asperge pas le voisinage. Mettre le tuyau de vidange, lever la sécurité de vidange vers haut et bouger le levier vers le point marqué de signe du robinet ouvert. Vider uniquement quand l'eau est froide.



- (A) BOUTON DE RÉGLAGE
- (B) APPROVISIONNEMENT EN EAU
- (C) LED
- (D) LED
- (E) LA SOUPE DE SORTIE



## **NETTOYAGE ET ENTRETIEN**

Il est recommandé de faire contrôler l'appareil dans un service spécialisé au moins une fois par an. Toutes les interventions peuvent être effectuées seulement par une personne qualifiée ayant une autorisation pour ces interventions.

**ATTENTION !** L'appareil ne peut pas être nettoyé sous l'eau courante ou de pression. Nettoyer l'appareil chaque jour. Nettoyage quotidien prolonge la vie et le fonctionnement de l'appareil. Avant le nettoyage vérifier, si l'appareil est débranché. Toujours débrancher l'alimentation principale. Les pièces en inox nettoyer à l'aide d'un torchon humide et un détergent sans particules abrasives, rincer, sécher. Ne jamais utiliser les produits abrasifs ou corrosifs.

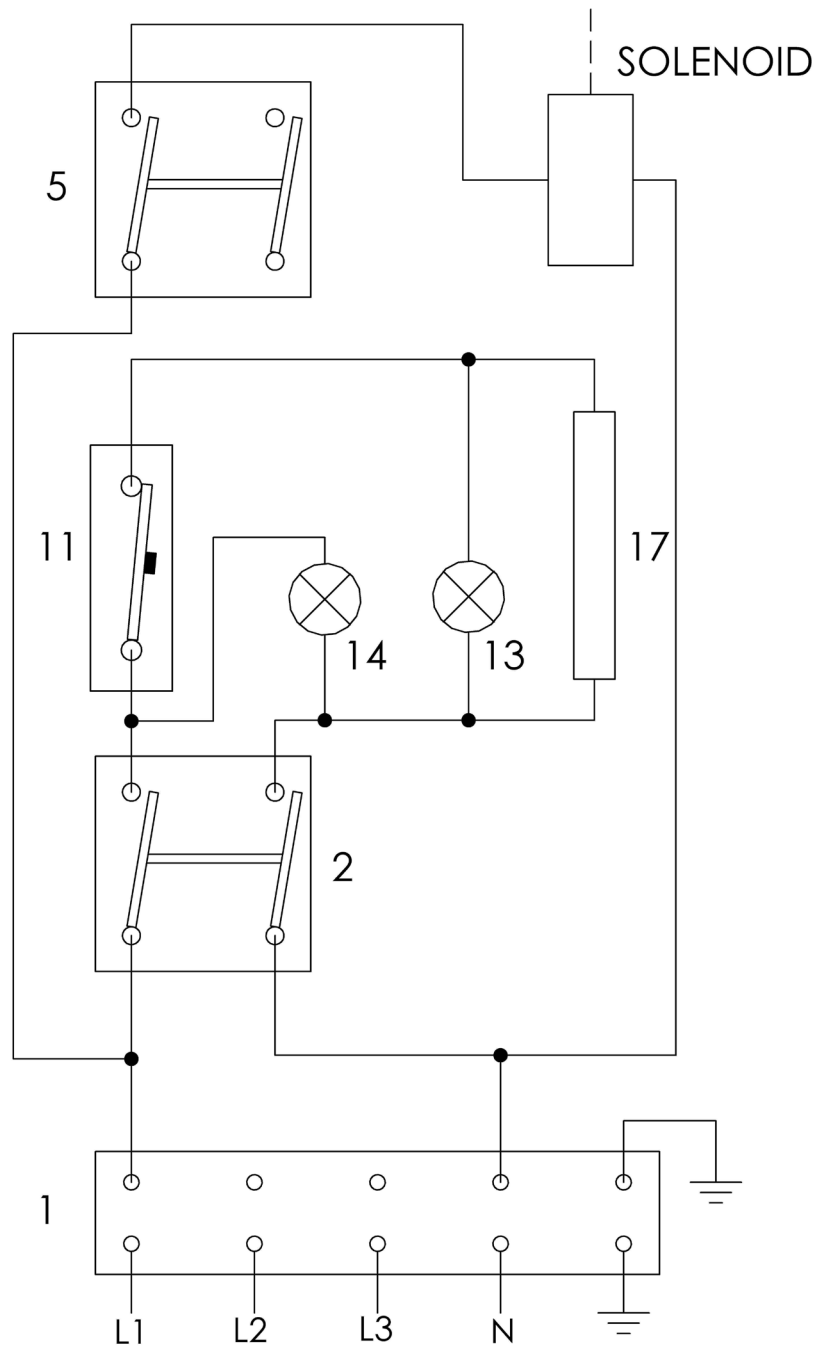
### **Comment procéder en cas de panne de l'appareil**

Débrancher l'appareil et appeler le service spécialisé.

### **AVERTISSEMENT:**

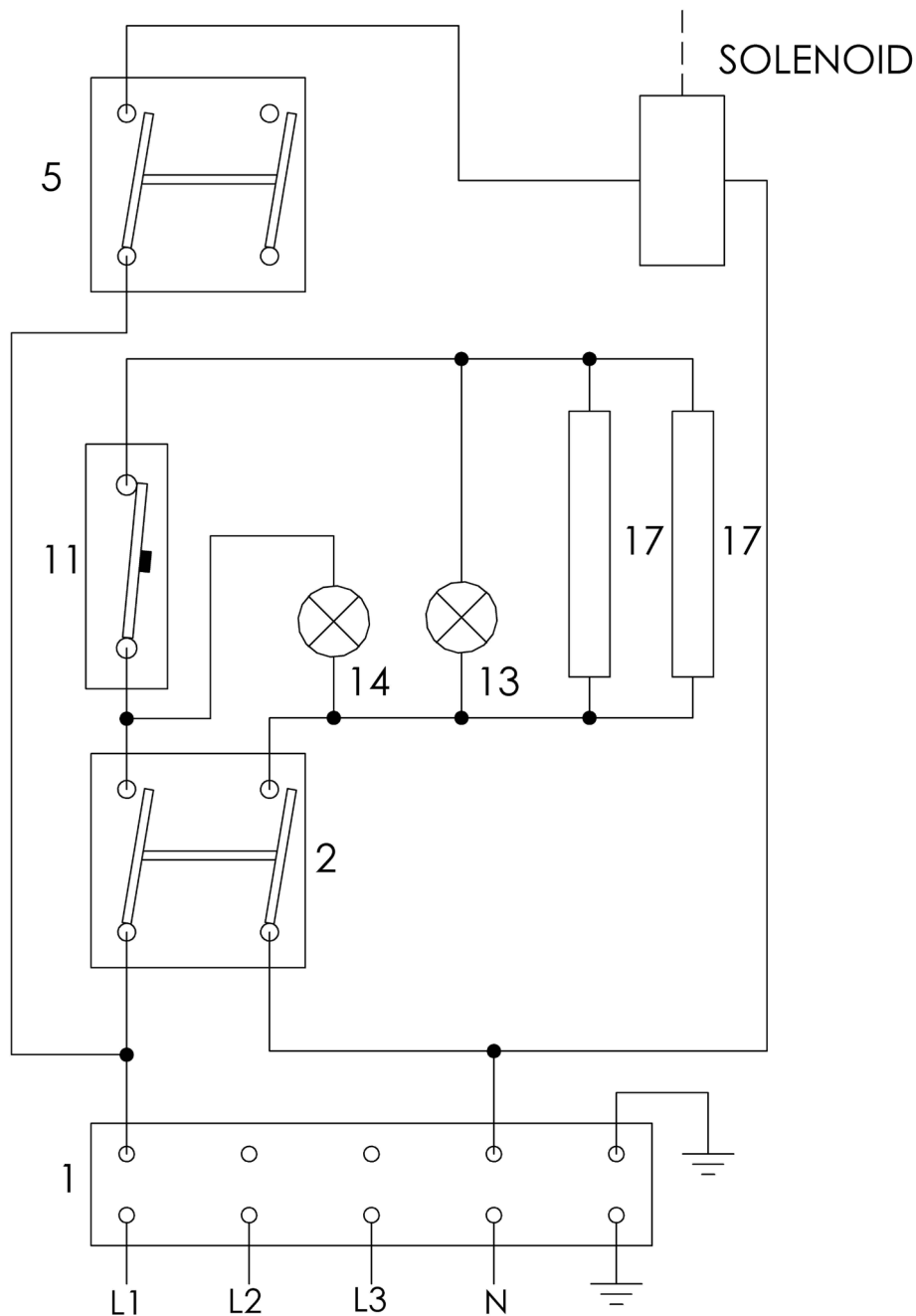
La garantie ne concerne pas les bourrelets en caoutchouc, bulbes, parties en verre et en plastique. Elle ne concerne également pas tout l'appareil si l'installation n'a pas été effectuée par une personne qualifiée, selon le mode d'installation ou selon les normes en vigueur ou si l'appareil n'a pas été utilisé selon le mode d'emploi, s'il y avait des interventions nonprofessionnelles (interventions à l'intérieur de l'appareil). La garantie ne concerne pas les endommagements causés par la pluie, vent, etc.

**BM - 704/740**



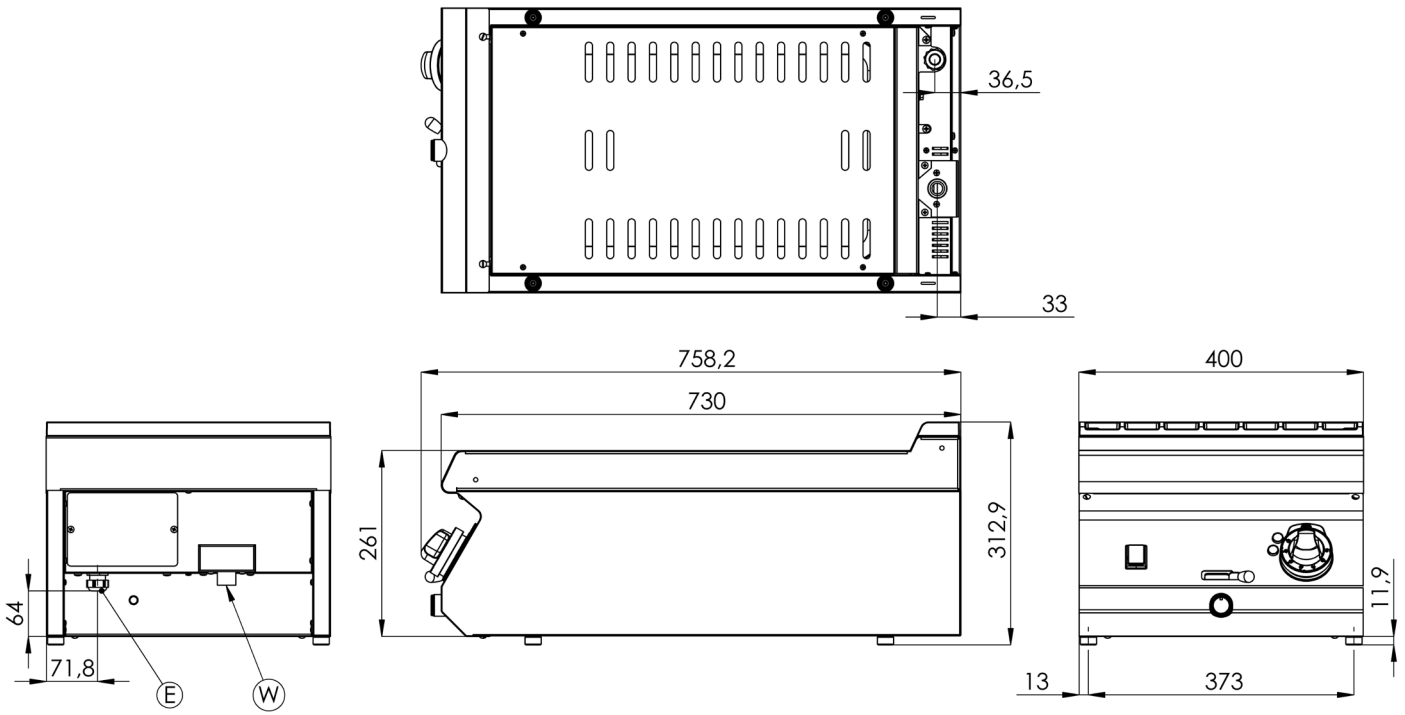
	 ENGLISH	 DEUTSCH	 FRANÇAIS
1	TERMINAL BOARD	KLEMMSBRETT	BORNIER
2	MAIN SWITCH	SCHALTER	INTERRUPTEUR PRINCIPAL
3	TERMOSTAT	TERMOSTAT	THERMOSTATE
4	LED	KONTROLLAMPE	TÉMOIN LUMINEUX ORANGE
5	HEATING ELEMENT	HEIZUNGSSPIRALE	RÉSISTANCE DE CHAUFFAGE

BM - 708/780

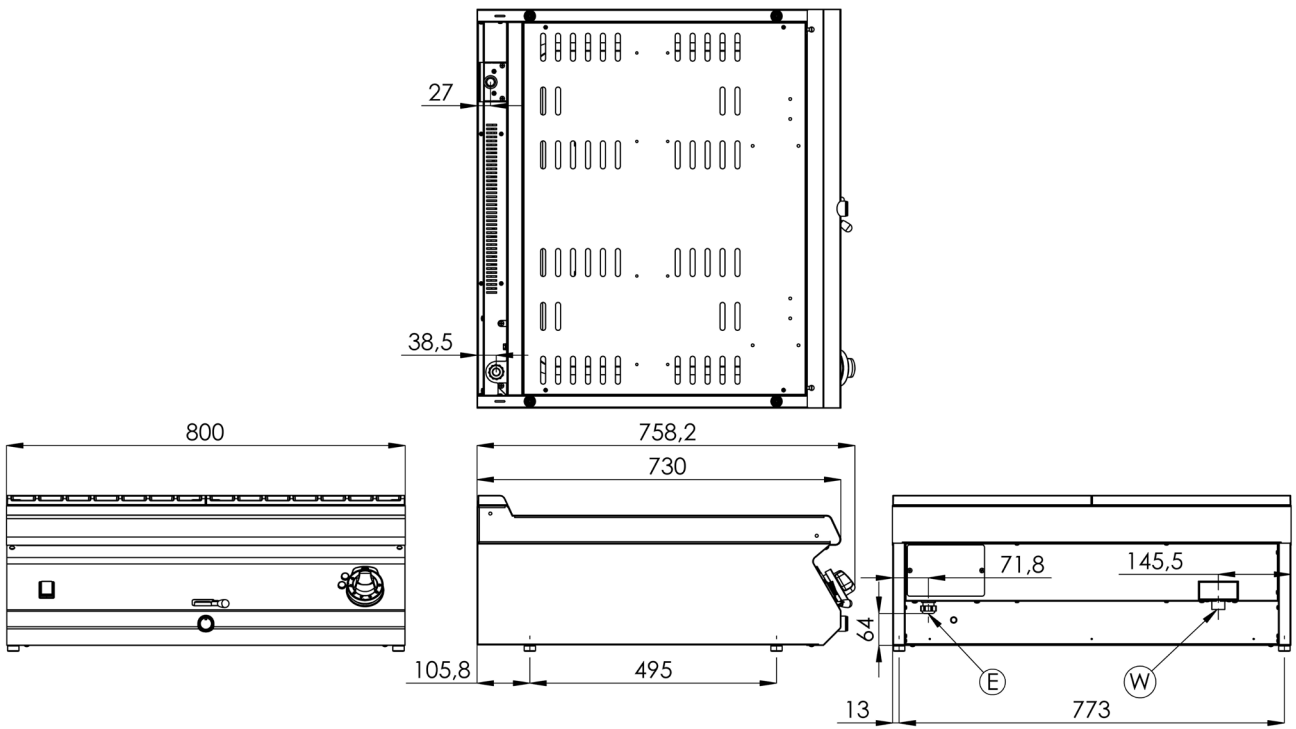


	 ENGLISH	  DEUTSCH	 FRANÇAIS
1	TERMINAL BOARD	KLEMMSBRETT	BORNIER
2	MAIN SWITCH	SCHALTER	INTERRUPTEUR PRINCIPAL
3	TERMOSTAT	TERMOSTAT	THERMOSTATE
4	LED	KONTROLLAMPE	TÉMOIN LUMINEUX ORANGE
5	HEATING ELEMENT	HEIZUNGSSPIRALE	RÉSISTANCE DE CHAUFFAGE

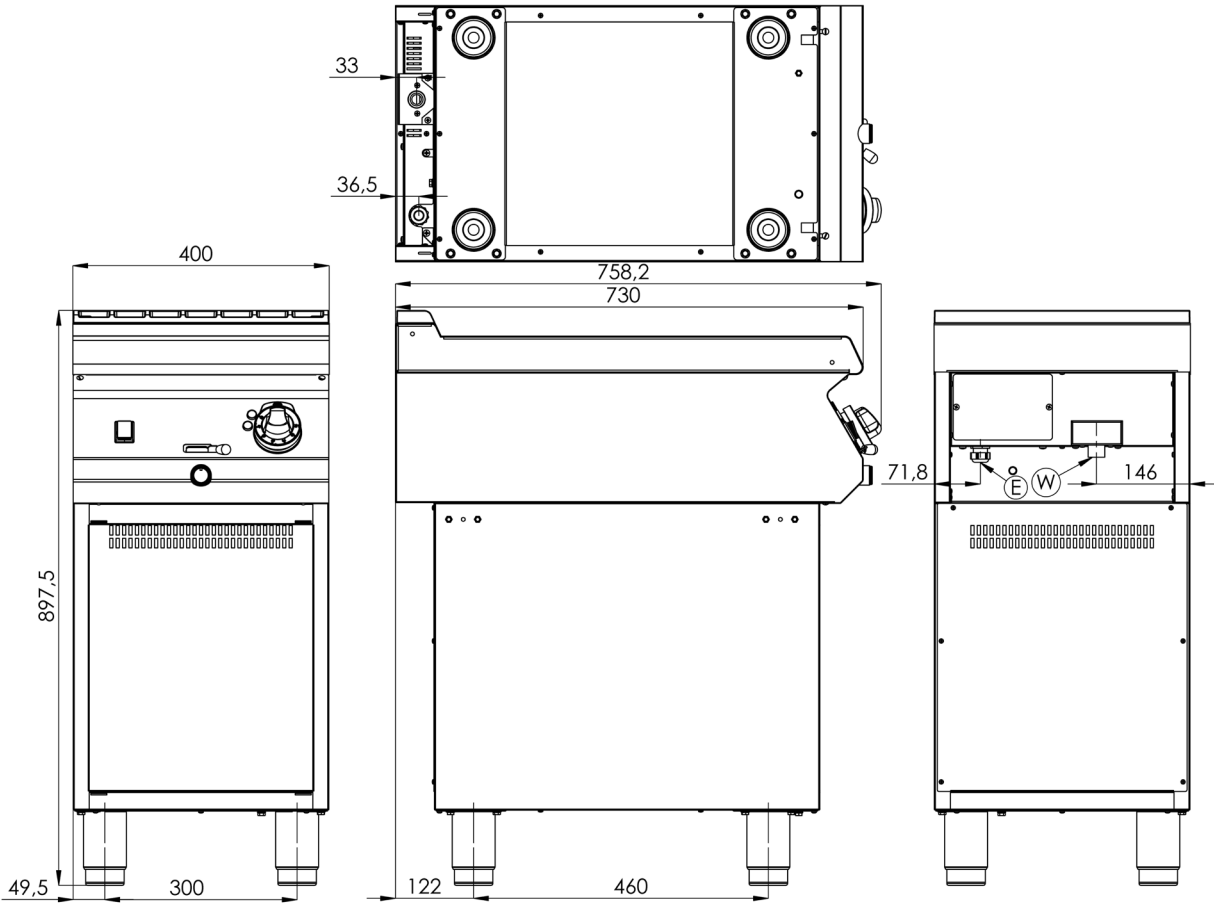
**BM - 704**



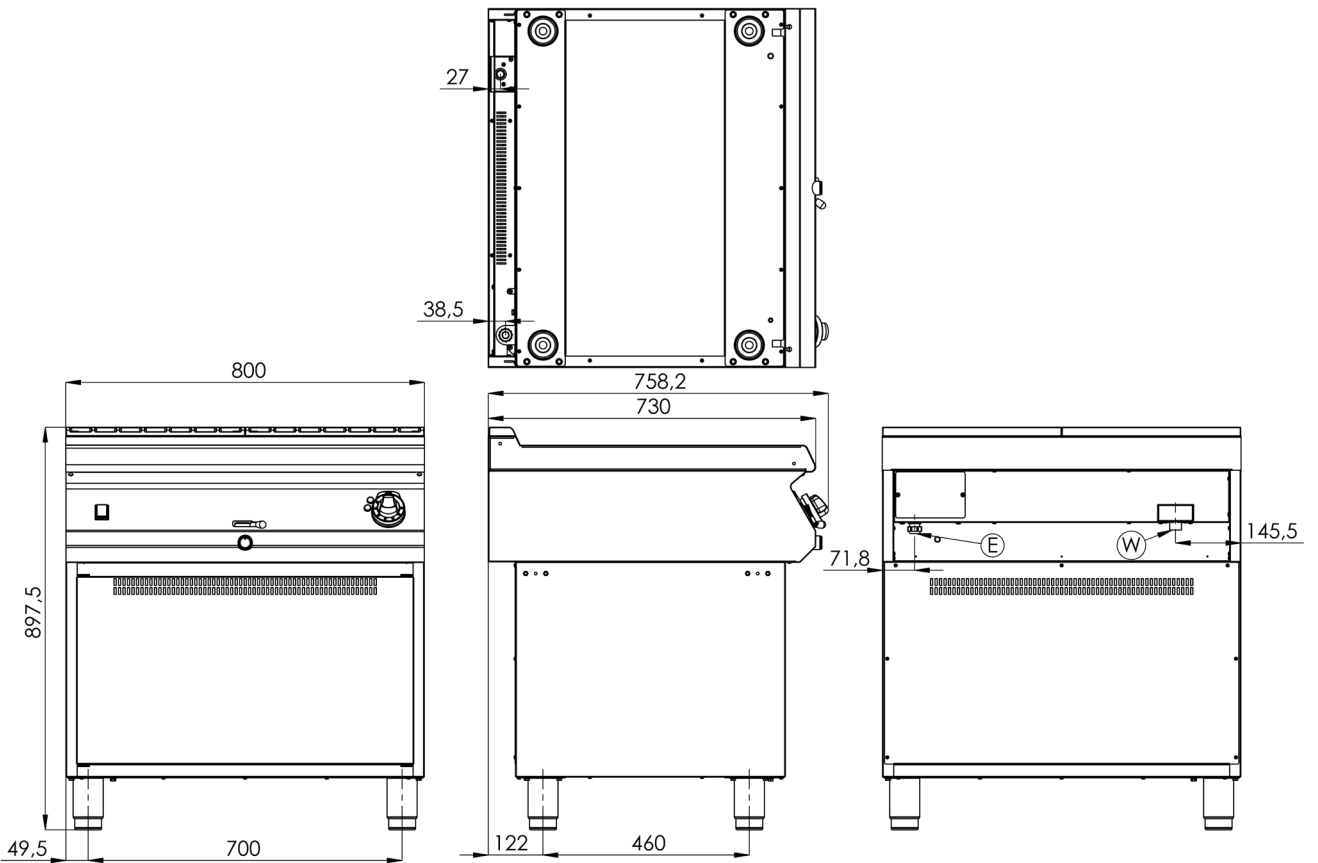
**BM - 708**



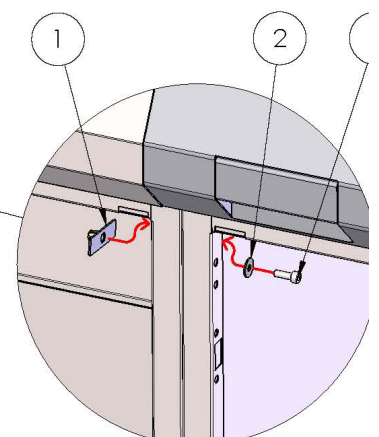
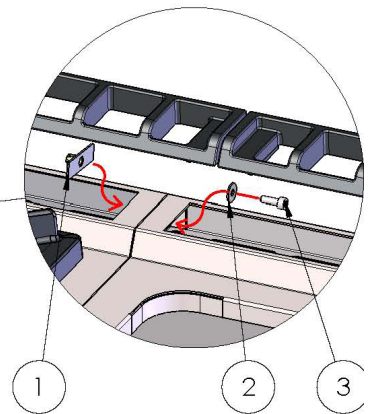
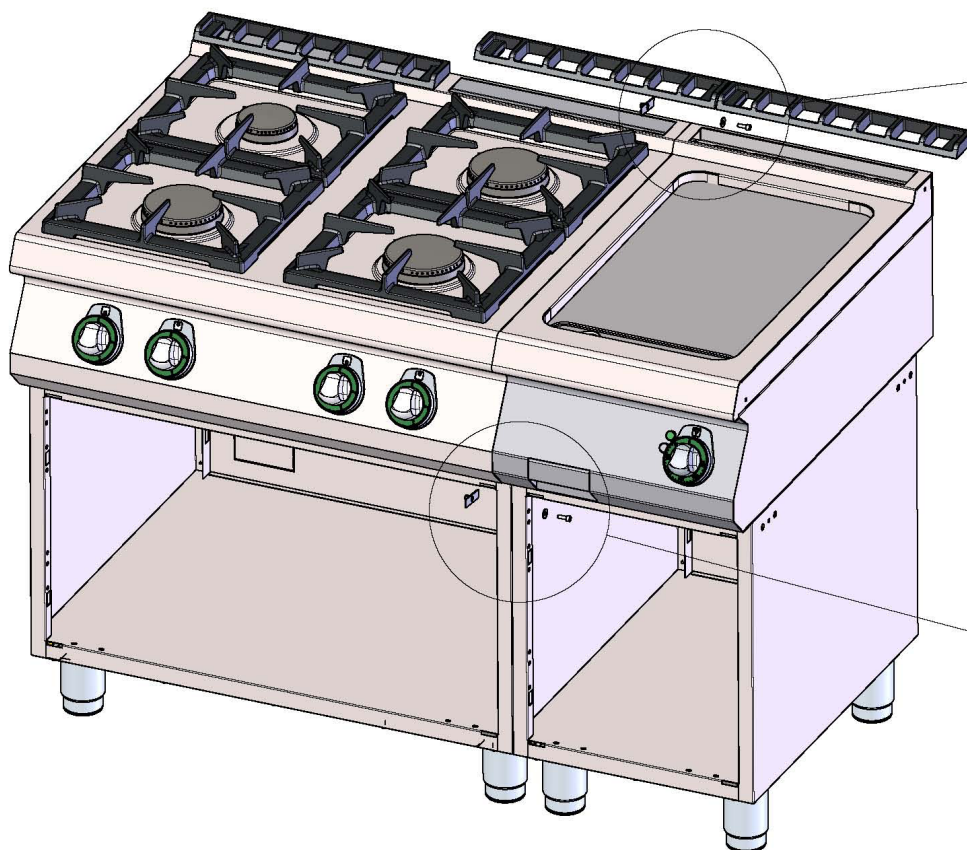
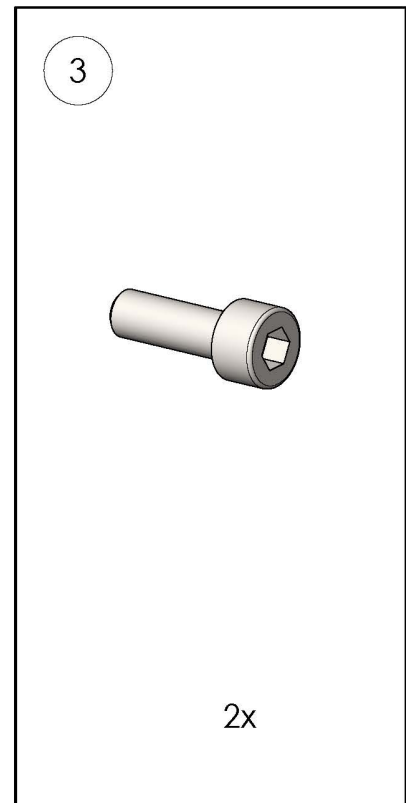
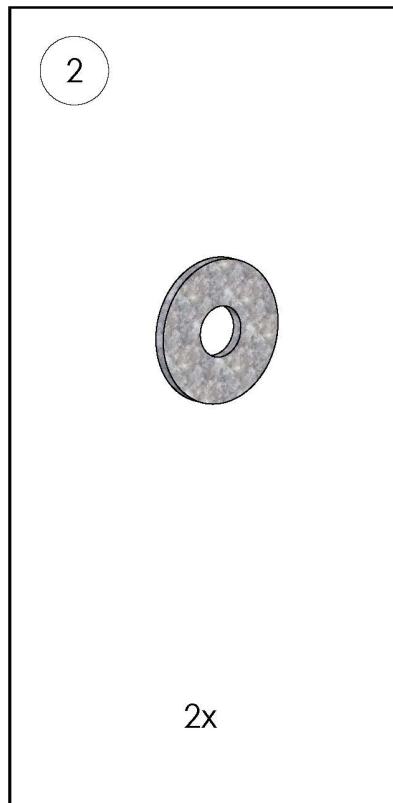
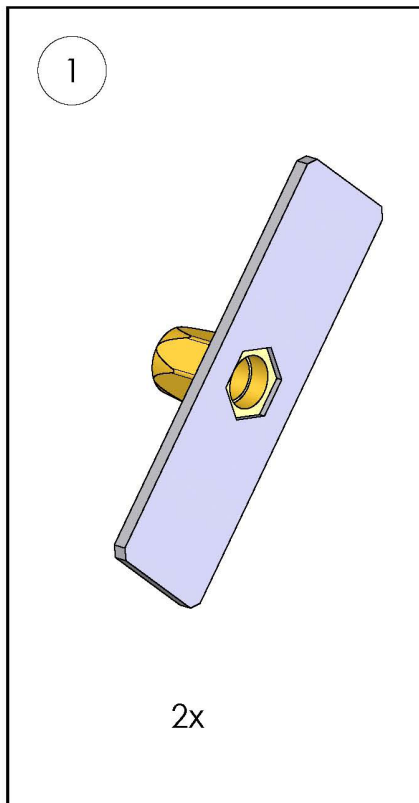
# BM - 740



# BM - 780



# connection modules/ Anschlussmodule/ les modules de connexion





## PROHLÁŠENÍ O SOULADU S NORMAMI

Výrobce prohlašuje, že přístroje splňují základní požadavky směrnice 2014/30/EU (nařízení vlády č. 117/2016 Sb.) a požadavky směrnice 2014/35/EU (nařízení vlády č. 118/2016 Sb.).

Pozor, výrobce se vzdává jakékoli odpovědnosti v případě přímých i nepřímých poškození, které se vztahují ke špatné instalaci, nesprávným zásahem nebo úpravami, nedostatečnou údržbou, nesprávným používáním, a které jsou eventuálně způsobeny jinými příčinami, jež uvádí body uvedené v podmínkách prodeje. Tento spotřebič je určen pouze pro odborné používání a musí být obsluhován kvalifikovanými osobami. Části, které byly po nastavení zajištěny výrobcem nebo pověřeným pracovníkem, nesmí uživatel přestavovat.

## TECHNICKÁ DATA

Štítek s technickými údaji je umístěn na boku či zadním panelu přístroje. Před instalací si prostudujte elektrické schéma zapojení a všechny následující informace.

Typ výrobku	Napětí (V / Hz)	Příkon max. (W)	Rozměr (mm)	Regulace teploty (°C)	Hmotnost (kg)
BM - 704	230 / 50	1600	400 X 313 X 730	30 - 90	17,2
BM - 708	230 / 50	3200	800 X 313 X 730	30 - 90	26,7
BM - 740	230 / 50	1600	400 X 897 X 730	30 - 90	22,2
BM - 780	230 / 50	3200	800 X 897 X 730	30 - 90	35,7



## UMÍSTĚNÍ

Ke správné činnosti a umístění spotřebiče je nutné dodržet veškeré předepsané nařízení a zákony dané země.

Rozbalte přístroj a zkontrolujte, zda se přístroj nepoškodil během přepravy. Umístěte přístroj na vodorovnou plochu (maximální nerovnost do 2°). Drobné nerovnosti lze vyrovnat regulovatelnými nožičkami.

Jestliže zařízení bude umístěno tak, že bude v kontaktu se stěnami nábytku, tyto musí odolávat teplotě až 60°C. Instalaci, seřízení, uvedení do provozu musí provést kvalifikovaná osoba, která má k takovýmto úkonům oprávnění a to dle platných norem.

Přístroj může být instalován samostatně nebo v sérii s přístroji naší výroby. Je nutno dodržovat minimální vzdálenost 10 cm od hořlavých materiálů. V tomto případě je nutné zabezpečit odpovídající úpravy, aby byla zabezpečena tepelná izolace hořlavých částí.

Spotřebič se musí instalovat pouze na nehořlavém povrchu nebo u nehořlavé stěny.

**Nejmenší požadovaný průtok vzduchu z venkovního prostoru pro spotřebiče v provedení A je v rozmezí 5-20 m<sup>3</sup>/h, dle typu spotřebiče. Zaleží na instalačních předpisech pro danou zemi určení.**

**Součásti spotřebiče zajištěné výrobcem, nebo jeho zástupcem nesmí pracovník provádějící instalaci výrobku přestavovat.**

**Zařízení musí být instalováno ve vhodně větraném prostředí.**

## BEZPEČNOSTNÍ OPATŘENÍ Z HLEDISKA POŽÁRNÍ OCHRANY PODLE ČSN 061008 ČL. 21

- obsluhu spotřebiče smí provádět pouze dospělé osoby
- spotřebič smí být bezpečně používán v souladu s normami a zákony dané země.
- spotřebič je nutné umístit tak, aby stál nebo visel pevně na nehořlavém podkladu

**Na spotřebič a do vzdálenosti menší než bezpečná vzdálenost od něho nesmějí být kladeny předměty z hořlavých hmot (nejmenší vzdálenost spotřebiče od hořlavých hmot je 10 cm).**

Tabulka: stupeň hořlavosti stavební hmoty zařazené do st. hořlavosti hmot a výrobků

Stupeň hořlavosti	Stavební hmoty
A - nehořlavé	žula, pískovec, betony, cihly, keramické obkladačky, omítky
B - nesehnadno hořlavé	akumin, heraklit, lihnos, itaver
C1 - těžce hořlavé	dřevo, listnaté, překližky sirkoklit, tvrzený papír, umakart
C2 - středně hořlavé	dřevotřískové desky, solodur, korkové desky, pryž, podlahoviny
C3 - lehce hořlavé	dřevovláknité desky, polystyrén, polyureten, PVC

**• informace o stupni hořlavosti běžných stavebních hmot uvádí tabulka výše. Spotřebiče musí být instalovány bezpečným způsobem. Při instalaci musí být dále respektovány příslušné projektové, bezpečnostní a hygienické předpisy a zákony dané země.**

## INSTALACE

### **Důležité:**

Výrobce neposkytuje žádnou záruku na závady, vzniklé v důsledku nesprávného používání, nedodržování instrukcí obsažených v příloženém návodu k použití a špatným zacházením se spotřebiči.

Instalaci, úpravy a opravy spotřebičů pro velkokuchyně, tak jako i jejich demontáž z důvodu možného poškození přívodu plynu, mohou být prováděny pouze na základě smlouvy o údržbě, tato smlouva může být uzavřena s autorizovaným prodejcem, přičemž musí být dodržovány technické předpisy a normy a předpisy týkající se instalace, elektrického přívodu, plynové přípojky a bezpečnosti práce.

Technické instrukce pro instalaci a seřízení, k použití POUZE pro specializované techniky.

Instrukce, které následují, se obrací k technikovi kvalifikovanému pro instalaci, aby provedl všechny operace způsobem co nejkorektnějším a podle platných norem.

Jakákoli činnost spojená s regulací apod. musí být vykonána pouze se zařízením odpojeným ze sítě. Je - li nutno udržovat spotřebič pod napětím je nutno dbát nejvyšší opatrnosti.

Typ spotřebiče pro provedení odtahu je deklarován na typovém štítku, jedná se o spotřebiče typu A1.

## PŘIPOJENÍ ELEKTRICKÉHO KABELU DO SÍTĚ

Instalace elektrického přívodu - tento přívod musí být samostatně jištěn. A to odpovídajícím jističem jmenovitého proudu v závislosti na příkonu instalovaného přístroje. Příkon přístroje zkontrolujte na výrobním štítku na zadním panelu (či boku) přístroje.

Připojený zemnicí vodič musí být delší než ostatní vodiče. Přístroj připojte přímo na síť, je nezbytné vložit mezi spotřebič a síť vypínač s minimální vzdáleností 3 mm mezi jednotlivými kontakty, který odpovídá platným normám a zatížením. Přívod uzemnění (žlutozelený) nesmí tímto spínačem být přerušen. Přístroj určený pro připojení do zásuvky, připojte do sítě pokud má zásuvka odpovídající jištění.

V každém případě přívodní kabel musí být umístěn tak, že v žádném bodě nedosáhne teploty o 50 stupňů vyšší než prostředí. Než bude spotřebič připojen do sítě, je nutné se nejprve ujistit, že:

- přívodní jistič a vnitřní rozvod snesou proudové zatížení spotřebiče (viz štítek matrice)
- rozvod je vybaven účinným uzemněním podle norem a podmínek daných zákonem
- zásuvka nebo vypínač v přívodu jsou dobře přístupné od spotřebiče
- elektrický přívod do zařízení musí být z olejovzdorného materiálu

**Vzdáváme se jakékoli zodpovědnosti v případě, že tyto normy nebudou respektovány a v případě porušení výše uvedených zásad.**

**Před prvním použitím musíte přístroj vyčistit viz. kapitola „čištění a údržba“. Spotřebič musí být uzemněn pomocí šroubu se značkou uzemnění.**



- Tato etiketa označuje uzemňovací bod zařízení

## NÁVOD K POUŽITÍ

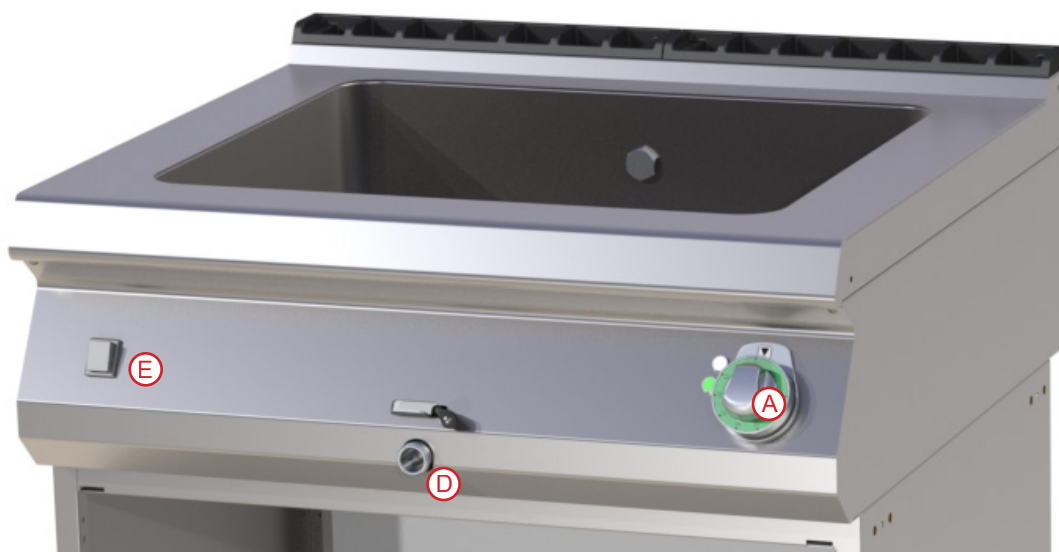
**Pozor!** Než-li začnete přístroj používat, je nutné z celého povrchu sejmout ochranné fólie nerezového plechu, pak jej dobře omýt vodou se saponátem na nádobí, a poté otřít navlhčeným hadrem.

Naplňte přístroj vodou tak, aby hladina vody dosahovala ke dnu příslušné gastronádoby. Napuštění vody provedeme stiskem černého tlačítka a držením. V případě že přerušíme stisk tlačítka, voda se přestane napouštět.

Otočte ovladačem (A) z polohy „0“ na vámi požadovanou hodnotu v rozpětí 30°C - 90°C. Kontrolky (B) a (C) budou svítit. Kontrolka (B) svítí, když je přístroj pod el. proudem. Kontrolka (C) svítí, pokud jsou v chodu tepelné spirály. Kontrolka (B) zhasne, pokud je přístroj vyhřátý na nastavenou teplotu. Přístroj vypnete, když otočíte ovladačem (A) do polohy „0“. Neustále kontrolujte hladinu vody, nikdy nepoužívejte přístroj bez vody. Používejte přístroj pouze pod dohledem a plně osazený odpovídajícími gastronádobami.

### Vypuštění vany:

Uživatel se musí vybavit vhodnou nádobou na vypouštění vody z vany. Tato nádoba musí být z tepelně odolného materiálu a musí být postavena tak, že voda nebude stříkat a tím nebude způsobovat nebezpečí. Odstraňte pojistku proti nechtěnému otevření směrem vzhůru a páčku posuňte do polohy otevřeného kohoutu. Vanu vypouštějte pokud je voda chladná.



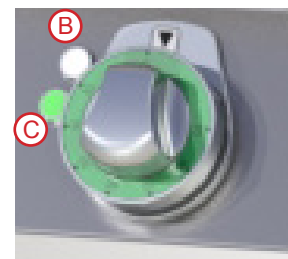
**A- regulační knoflík**

**B - kontrolka vyhřátí**

**C - kontrolka chodu**

**D - výpustný ventil**

**E - tlačítko napouštění vody**



## ČIŠTENÍ A ÚDRŽBA

Přístroj se musí alespoň 2 x ročně překontrolovat odborným servisem. Veškeré zásahy do přístroje může provádět pouze kvalifikovaná osoba, která má k takovýmto úkonům oprávnění.

### **POZOR!**



Zařízení se nesmí čistit přímou nebo tlakovou vodou. Čistěte zařízení denně. Denní údržba prodlužuje životnost a účinnost zařízení. Před započetím čištění se přesvědčte, jestli jste odpojili zařízení od elektrického proudu. Vždy vypněte hlavní přívod k zařízení. Nerezové části omyjte vlhkým hadrem se saponátem bez hrubých částic a vytřete do sucha. Nepoužívejte abrasivní nebo korosivní čisticí prostředky.

**Pozor!** Než-li začnete přístroj používat, je nutné z celého povrchu sejmout ochranné fólie, a pak jej dobře omýt vodou se saponátem na nádobí, a poté otřít vlhkým hadrem.

Jak postupovat v případě poruchy?

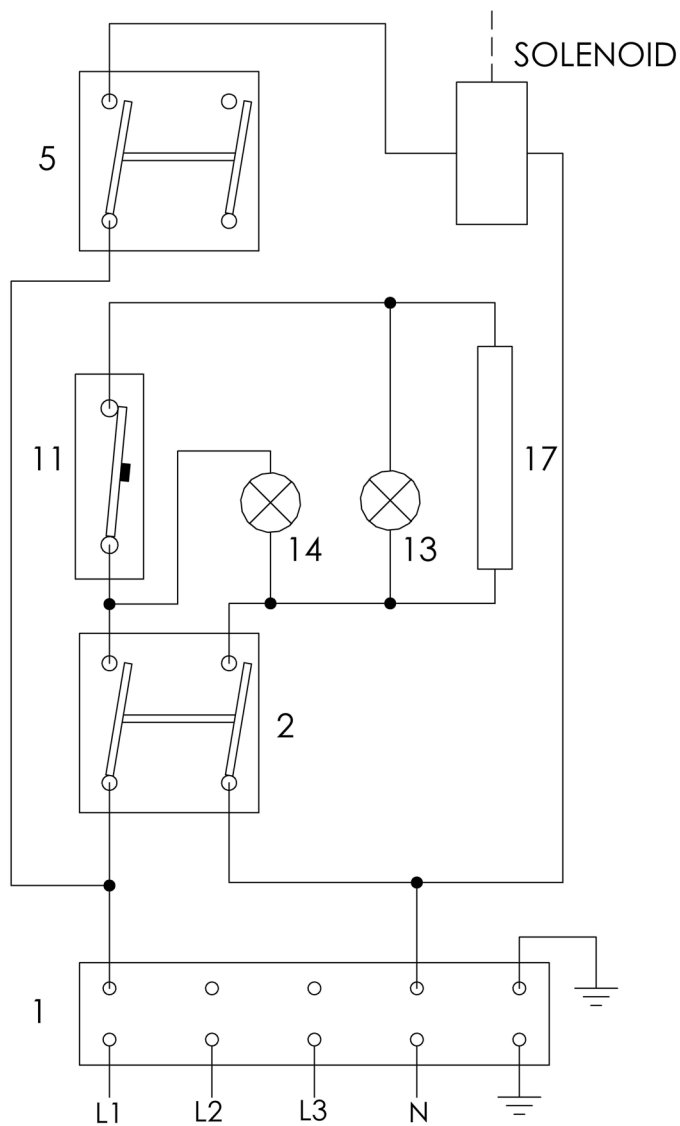
Vypněte elektrický (plynový) přívod a zavolejte servisní organizaci prodejce.

Záruka se navztahuje na všechny spotřební díly podléhající běžnému opotřebení ( gumová těsnění, žárovky, skleněné a plastové díly atd.). Záruka se též nevztahuje na zařízení pokud není provedena instalace v souladu s návodem – oprávněným pracovníkem dle odpovídajících norem a pokud bylo se zařízením neodborně manipulováno ( zásahy do vnitřního zařízení atd. ) nebo bylo obsluhováno nezaškoleným personálem a v rozporu s návodem k použití, dále se záruka nevztahuje na poškození přírodními vlivy či jiným vnějším zásahem.

**Přepravní obaly a zařízení po ukončení životnosti odevzdejte do sběru, dle předpisů o nakládání s odpadem a nebezpečným odpadem.**

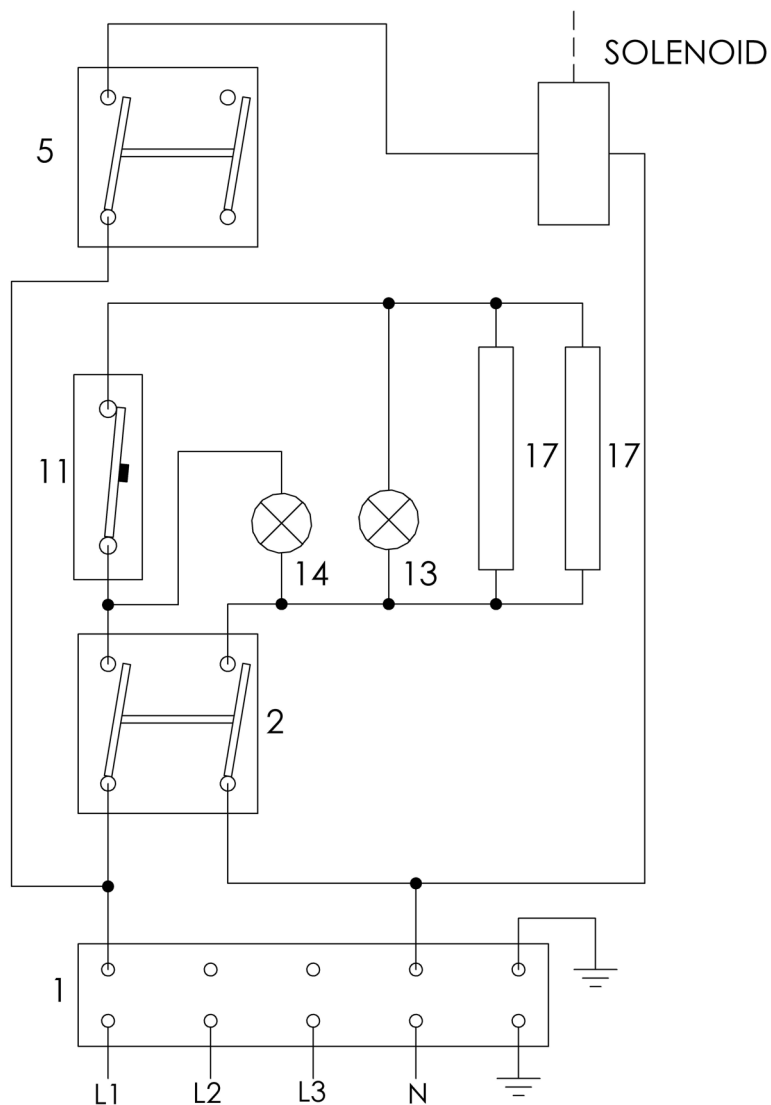
# SCHÉMA ZAPOJENÍ

BM - 704/740



1- SVORKOVNICE	17- TOPNÉ TĚLESO
2- VYPÍNAČ O/I	18- PLOTÝNKA
3- VYPÍNAČ PROSVĚTLENÝ O/I	19- TRANSFORMÁTOR
4- PŘEPÍNAČ OTOČNÝ	20- POJISTKA
5- TLAČÍTKOVÝ SPÍNAČ	21- RHEOSTAT
6- KONCOVÝ SPÍNAČ	22- TERMOČLÁNEK
7- MIKROSPÍNAČ	23- ČIDLO
8- RELÉ	24- MOTOR ZDVIHU
9- KONTAKTY RELÉ	25- MOTOR VENTILÁTROU
10- ČASOVÝ SPÍNAČ	26- KONDENZÁTOR ROZBĚHOVÝ
11- TERMOSTAT PRACOVNÍ	27- ZAPALOVACÍ SVÍČKA
12- TERMOSTAT POJISTNÝ	28- PLYNOVÝ VENTIL (SIT)
13- KONTROLKA ORANŽOVÁ	29- ZÁSUVKA
14- KONTROLKA ZELENÁ	30- DIGITÁLNÍ TEPLMĚR
15- DIODA	31- ŘÍDÍCÍ JEDNOTKA
16- VNITŘNÍ OSVĚTLENÍ	

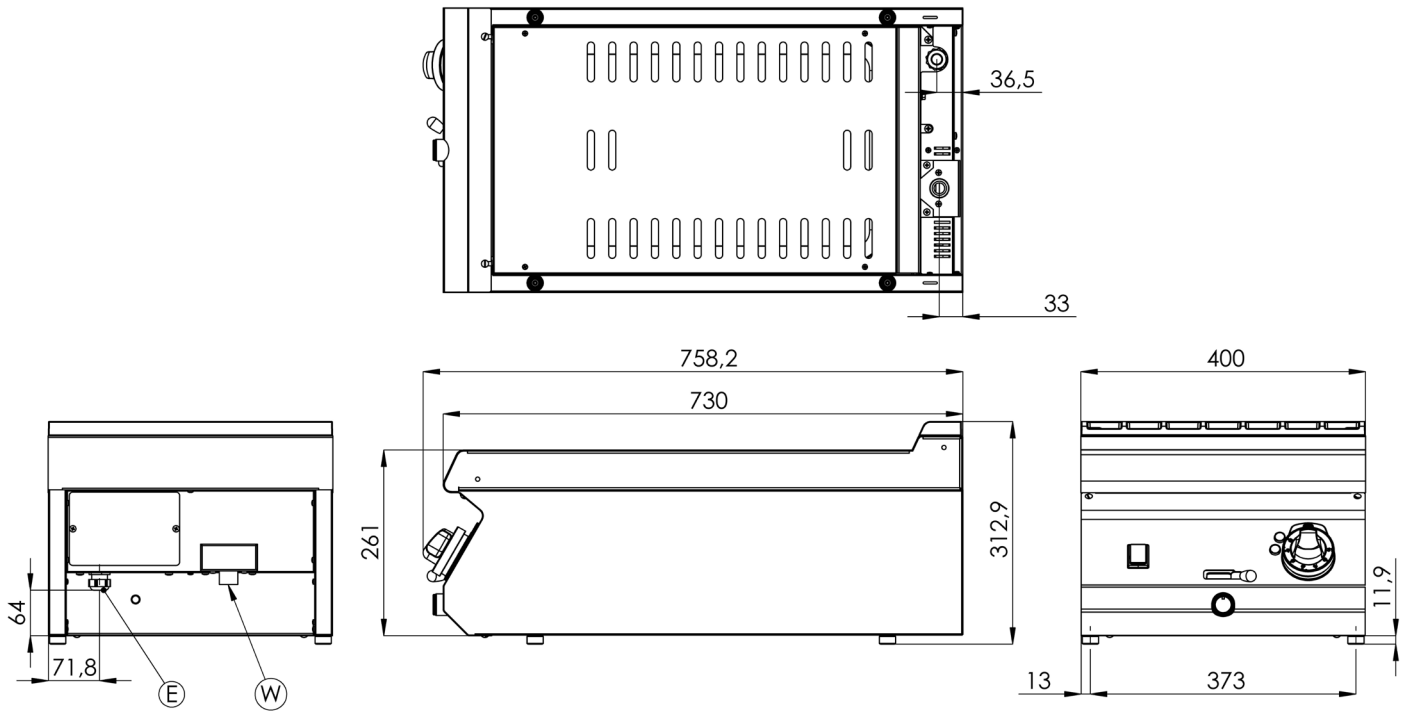




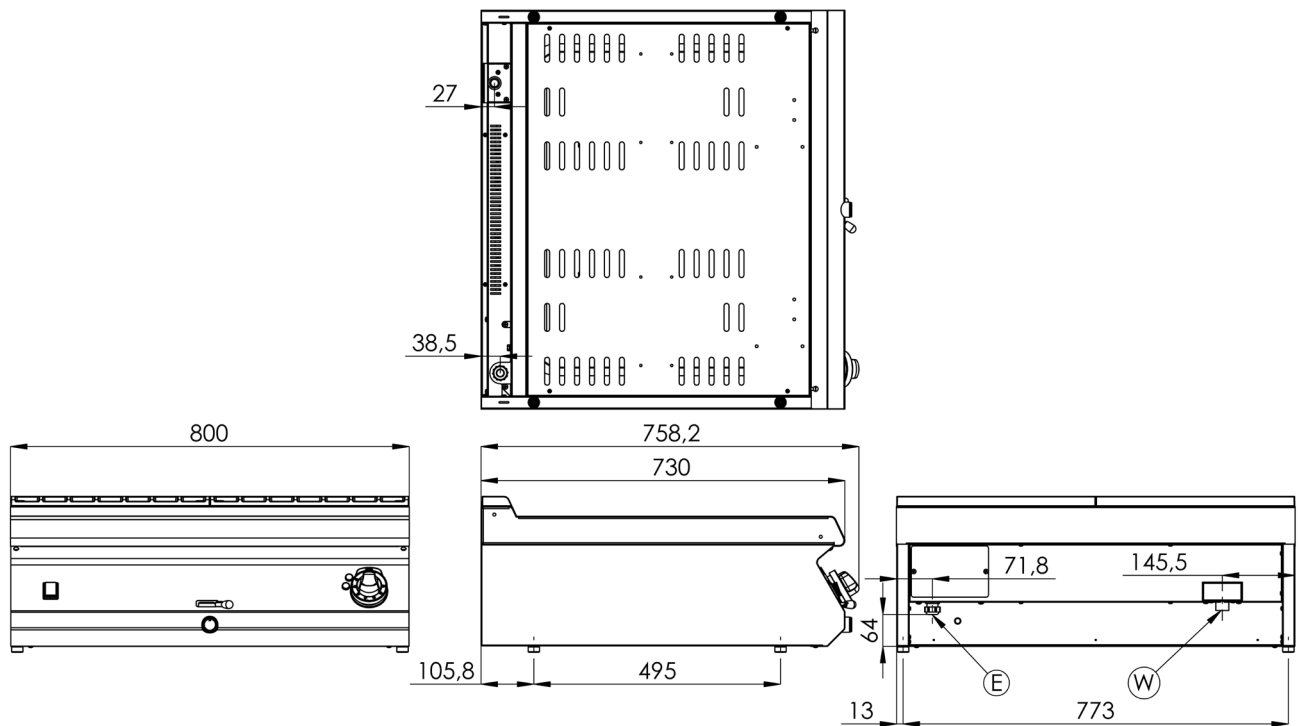
1- SVORKOVNICE	17- TOPNÉ TĚLESO
2- VYPÍNAČ O/I	18- PLOTÝNKA
3- VYPÍNAČ PROSVĚTLENÝ O/I	19- TRANSFORMÁTOR
4- PŘEPÍNAČ OTOČNÝ	20- POJISTKA
5- TLAČÍTKOVÝ SPÍNAČ	21- RHEOSTAT
6- KONCOVÝ SPÍNAČ	22- TERMOČLÁNEK
7- MIKROSPÍNAČ	23- ČIDLO
8- RELÉ	24- MOTOR ZDVIHU
9- KONTAKTY RELÉ	25- MOTOR VENTILÁTROU
10- ČASOVÝ SPÍNAČ	26- KONDENZÁTOR ROZBĚHOVÝ
11- TERMOSTAT PRACOVNÍ	27- ZAPALOVACÍ SVÍČKA
12- TERMOSTAT POJISTNÝ	28- PLYNOVÝ VENTIL (SIT)
13- KONTROLKA ORANŽOVÁ	29- ZÁSUVKA
14- KONTROLKA ZELENÁ	30- DIGITÁLNÍ TEPLMÉR
15- DIODA	31- ŘÍDÍCÍ JEDNOTKA
16- VNITŘNÍ OSVĚTLENÍ	

# ROZMĚROVÉ OBRÁZKY

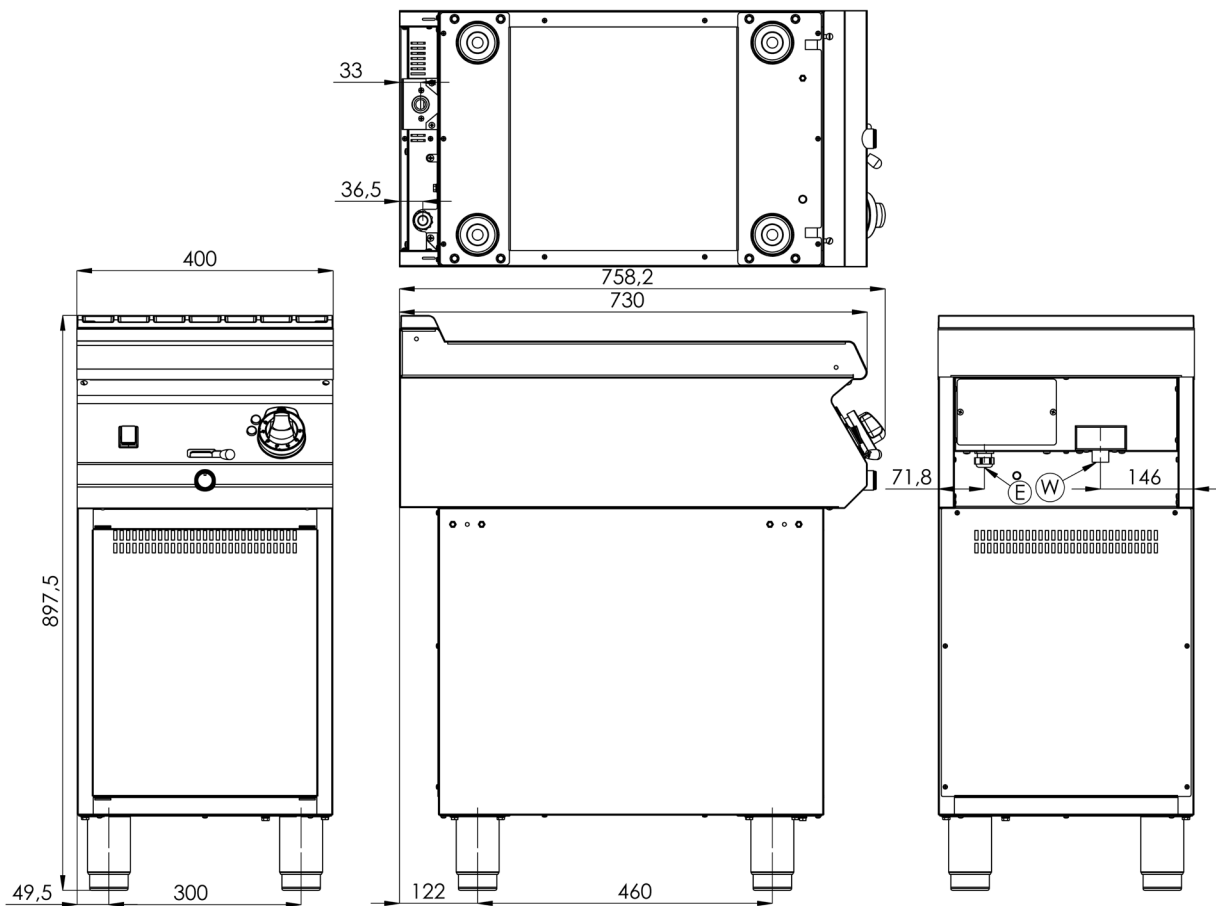
## BM - 704



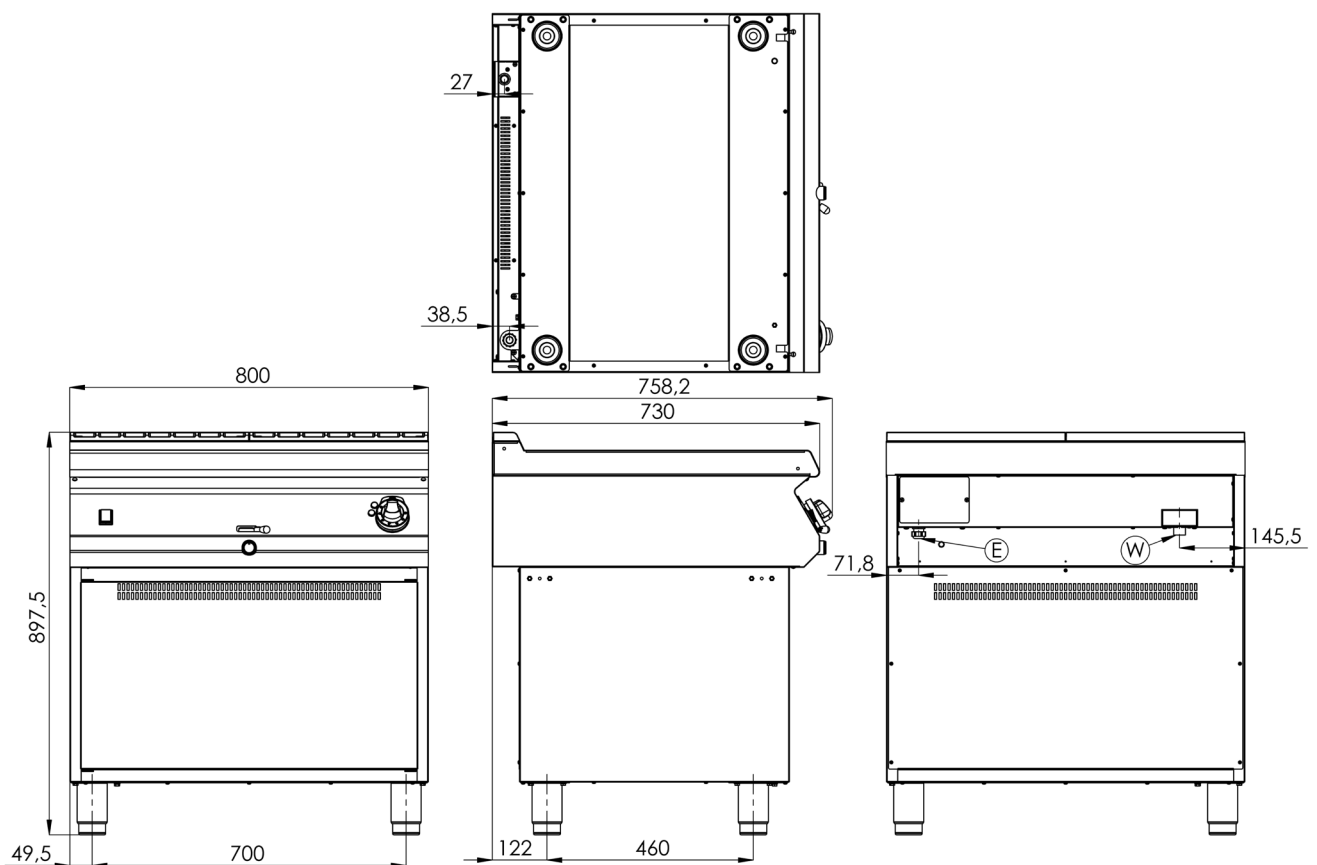
## BM - 708



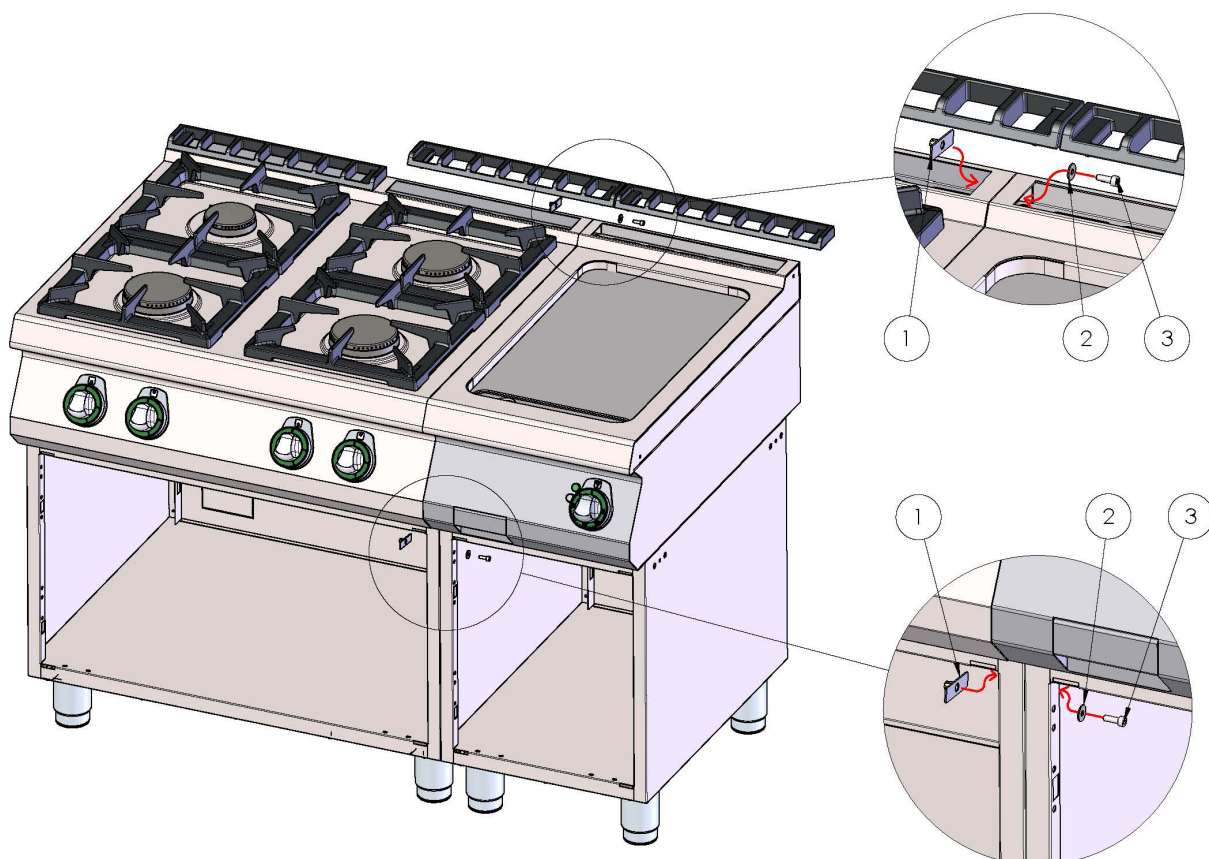
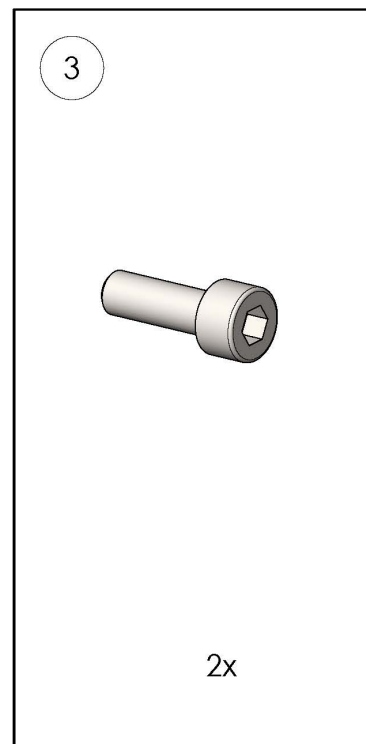
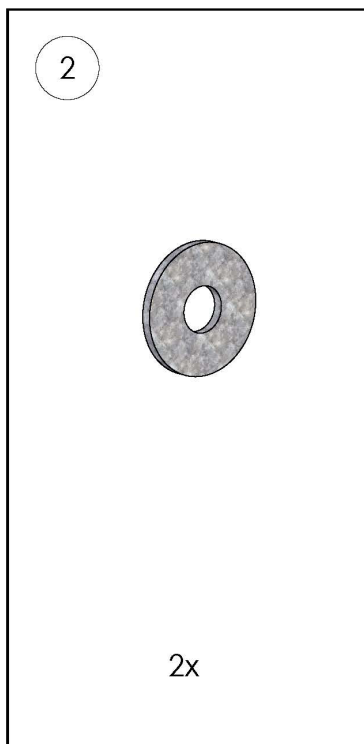
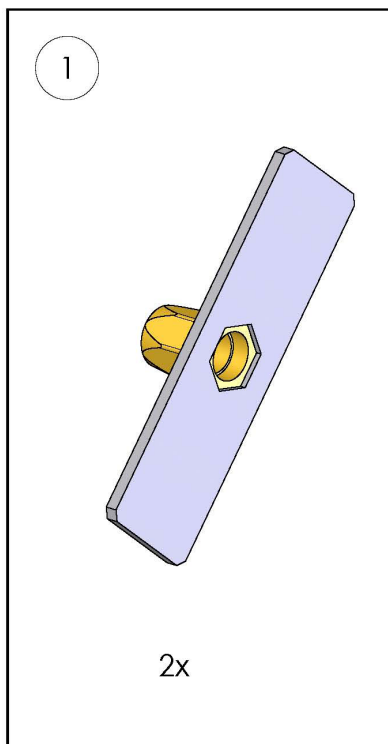
# BM - 740



# BM - 780



# SPOJENÍ MODULŮ



## IZJAVA O SAGLASNOSTI SA NORMAMA

Proizvodjač proglašava da uređaji ispunjavaju norme evropskog parlamenta i savjeta 2004/108/ES, 2006/95/ES. Instalacija mora biti provedena prema važećim normama.

Pozor, proizvođač ne snosi odgovornost u slučaju direktnog i/ili indirektnog oštećenja, a koje može biti uzrokovano neodgovornom ili neprofesionalnom instalacijom, neispravnom opravom i/ili korištenjem, nedovoljnim održavanjem i čišćenjem, te ostalim faktorima koji su uvedeni u uputstvu, odnosno uslovima prodaje. Ovaj uređaj je namijenjen samo k profesionalnom korišćenju i upotrebi, tako da mora biti servisiran samo kvalifikovanim osobljem. Dijelovi koji su bili instalirani od strane proizvođača ili njim povjerene osobe, ne smije korisnik mijenjati, niti opravljati.

## TEHNIČKI PODACI

Naljepnica sa tehničkim podacima se nalazi sa zadnje ili bočne strane aparata. Prije nego što aparat počnete koristiti prostudirajte shemu elektr. instalacije i ostale odgovarajuće informacije.

MODEL	NAPON (V/Hz)	SANGA (W)	RAZMJER (CM)
BM - 704 E	230 / 50	1 600	400 x 730 x 313
BM - 708 E	230 / 50	3 200	800 x 730 x 313
BM - 740 E	230 / 50	1 600	400 x 730 x 897
BM - 780 E	230 / 50	3 200	800 x 730 x 897

## KONTROLA PAKOVANJA I APARATA

Uredjaj napušta naše skladište uredno zapakovan, na pakovanju se nalaze simboli i opis tipa aparata. U pakovanju ćete naći uputstvo za upotrebu. Ukoliko bi se na pakovanju vidjelo da je s njim bilo loše manipulirano, da je pakovanje oštećeno, morate to odmah riješiti sa prijevoznikom, a to tako što ćete s njim napisati i obostrano potpisati protokol o šteti. Kasnije reklamacije nećemo uzimati u obzir.



### Važno upozorenje

Ovo uputstvo mora biti pažljivo pročitano, budući da sadrži bitne informacije o sigurnosti, instalaciji i korištenju.

- Ove preporuke se odnose na ovaj proizvod ili liniju proizvoda.
- Ovo uputstvo se treba sačuvati i za buduće korištenje.
- Zabranite djeci da koriste uređaj.
- Prilikom preprodaje ili izmjene pozicije uređaja, neophodno je upoznati servis i osoblje sa priloženim uputstvom za upotrebu i instalaciju.
- Uredjaj smije koristiti samo poslušač koji je upoznat sa uputstvom.
- Nesmijete ostavljati uređaj bez nadzora.
- Preporučuje se kontrola autorizovanim servisom minimalno 2x godišnje.
- U slučaju oprave ili izmjene rezervnog dijela, koristite samo originalne dijelove.
- Uredjaj se ne smije čistiti vodom pod pritiskom (tuš ili crijevo sa vodom).
- U slučaju kvara, isključite aparat iz struje, prekinite dovod vode i/ili plina, a potom se obratite na autorizovani servis.
- Proizodjač ne snosi odgovornost u slučaju pogrešne instalacije, nedodržavanjem gore navedenih preporuka, odnosno neodgovornim korištenjem i sl.
- Uredjaj smije biti korišten samo k tomu čemu je namijenjen, drugi način korištenja može uzrokovati oštećenje aparata ili, čak, tjelesne povrede.
- Moramo najstrožije dodržavati pravila protivpožarne zaštite.

### POZICIJA

Za ispravan rad i položaj aparata neophodno je dodržavati smjernice i norme propisane u uputstvu.

Raspakujte uređaj i prekontrolirajte da se nije slučajno oštetiо tijekom transporta. Smjestite uređaj na vodoravnu podlogu (maksimalna neravnina do 2°). Male neravnine možemo regulirati nožicama.

Ako je aparat smješten tako da će biti u neposrednoj blizini namještaja, taj mora biti otporan na toplotu od 60°C. Instalaciju, podešavanje i početak korištenja mora biti proveden kvalifikovanom osobom, koja je k tomu povjerena od strane autorizovanog servisa.

Uredjaj može biti instaliran samostalno ili u seriji sa ostalim našim proizvodima. Obavezno dodržavajte minimalnu udaljenost 10 cm od lako zapaljivih predmeta. U takvom slučaju, moraju biti provedene određene izmjene kako bi izolirale zapaljive materijale.

Uredjaj smije biti instaliran samo na nezapaljivoj površini i pored vatrostalnog zida.

## INSTALACIJE

### Važno:

Proizvodjač ne daje nikakvu garanciju na greške uzrokovane neispravnim korištenjem, nepridržavanjem danih instrukcija ili neodgovornim korištenjem proizvoda.

Instalaciju, izmjene i oprave, a jednako tako i demontažu, ukoliko je aparat oštećen, može provesti samo odgovorna osoba, a to povjerena autorizovanim servisom. I to na osnovu ugovora o prodaji i održavanju koji može biti sklopljen samo sa oficijalnim predstavnikom proizvođača, a mora sadržavati sve tehničke propise i norme koje se tiču instalacije, dovoda struje i plina, te bezbjednosti rada.

Tehničke instrukcije za instalaciju i podešavanje služe samo SPECIJALIZIRANIM serviserima.

Instrukcije, koje slijede tiču se tehničara kvalifikovanih za instalaciju uređaja, a da bi to učinili na što korektniji i odgovorniji način, a to prema zadanim normama.

Bilo koja djelatnost vezana za regulaciju i sl., mora biti provedena samo kada je aparat isključen i prekinut dovod plina i/ili vode. Dok aparat ne isključite i odpojite, budite maksimalno oprezni i pažljivi prilikom rukovanja.

Kakav trebate koristiti odvod dima, možete vidjeti na naljepnici sa deklaracijom tipa aparata, radi se o aparatima tipa A1.

## BEZBJEDNOSNE MJERE PROTIVPOŽARNE ZAŠTITE

- Koristiti uređaj smiju samo odrasle osobe.
- Uređaj smije biti korišten samo u tome namijenjenom prostoru.
- Uređaj postavite tako da stoji na vatrostalnoj podlozi.

**Na uređaj i u njegovoj blizini ne smiju biti postavljeni lako zapaljivi predmeti (najmanja dozvoljena udaljenost između aparata i zapaljivih materijala je 10 cm).**

- Informacije o stupnju zapaljivosti uobičajenih građevinskih materijala možete vidjeti na tabeli. Uređaj mora biti instaliran na bezbjednom mjestu. Prilikom instalacije moraju biti respektovani priloženi projektni materijali, sigurnosni i higijenski propisi.



<b>Stupanj zapaljivosti</b>	<b>Gradjevinski materijal</b>
<b>A</b> - nezapaljive	granit, pijesak, beton, cigle, keramičke pločice, žbuka
<b>B</b> - teško zapaljive	akumin, heraklit, lihnos, itaver
<b>C1</b> - veoma zapaljive	drvo, sirkoklit, tvrdi papir, sadrokarton
<b>C2</b> - srednje zapaljive	iverica, solodur, pluto, guma, linoleum
<b>C3</b> - lehce hořlavé	dřevovláknité desky, polystyrén, polyureten, PVC

Uredjaji moraju biti instalirani na bezbijedan način. Prilikom instalacije uredjaja moraju biti respektovani predloženi projektni materijali, bezbijednosni i higijenski propisi.

## **PRIKLJUČIVANJE EL. KABLA U STRUJU**

Instalacija dovoda struje - taj dovod mora imati svoj poseban osigurač. A to odgovarajući prema snazi i naponu instalovanog aparata. Ove podatke ćete naći na naljepnici sa zadnje ili bočne strane aparata.

Uzemljenje može biti duže od ostalih spojnica. Uredjaj pripojite direktno na struju, a neophodno je da instalirate medju uredjajem i strujom prekidač, i to na udaljenosti 3mm medju samostalnim kontaktima, tako da bi odgovarao važećim normama i opterećenju. Uzemljenje (žuto-zeleno) ne smije biti tim prekidačem prekinuto. Aparat je predvidjen da se uključi u utičnicu, ukoliko ima odgovarajući osigurač.

U svakom slučaju, dovod mora biti postavljen tako da kabel niti na jednom mjestu ne može imati toplotu višu za 50 stupnjeva od sredine u kojoj se nalazi. Prije nego što kabel spojite, uvjerite se da:

- osigurač i razvodi mogu podnijeti opterećenje samog aparata (pogledaj naljepnicu)
- razvodi imaju odgovarajuće uzemljenje a to prema normama i uslovima odredjenim zakonom
- utičnica ili prekidač su lako pristupni.

**Ne preuzimamo bilo kakvu odgovornost u slučaju da se nisu dane instrukcije respektovale ili ako se nije postupalo prema danim uputama.**

Prije prve upotrebe pročitajte poglavlje „čišćenje i održavanje“. Uredjaj mora biti uzemljen pomoću već označenih šarafa.

## PRIKLJUČAK VODE

Dovod vode ćemo provesti pomoću crijeva sa navojem G1/2. Prije svega moramo skinuti prednji panel. Dovod vode mora imati posebno zatvaranje koje dostupno i u dohvat aparata. Dijelovi aparata su i vratni ventili. Voda za punjenje prostora duplikatora mora biti omekšana – max. 5° francuske skale tvrdoće vode.

Tlak privoda vode može biti u razmjeru 50 - 300 kPa.

Kada budemo punili lonac vodom, koristite bateriju na gornjoj ploči kotla. Otvorite poklopac, postavite slavinu nad lonac i pustite vodu. Kada ga napunite, zatvorite vodu, slavinu dajte u prvobitni položaj, te zatvorite poklopac kotla.

Nikad nemojte koristiti kotao ukoliko je duplikator bez vode! Možete ozbiljno oštetiti uređaj! Vodu u duplikatoru redovno kontrolišite i dopunjavajte.

Ukoliko dodje do toga da se voda u duplikatoru ispari tokom korištenja, odmah isključite kotao. Vodu možete dopuniti samo kada se kotao ohladi. Ukoliko se ovog ne budete pridržavali možete oštetiti duplikator!

**Maximalna visina nivoa vode je 40 mm pod gornjim okrajem lonca. Ne zaboravite, da kada budete dodavali namjernice do vode, podići ćete i njen nivo!**

## UPUTSTVO ZA UPOTREBU

**Pozor!** Prije nego što počnete aparat koristiti, skinite sa njega zaštitnu foliju, dobro ga operite vodom i deterdžentom za sudje i potom obrišite vlažnom krpom.

Napunite posudu vodom do crte koja se nalazi sa bočne strane kade (Uključite gl. prekidač (A). Okrenite regulator (E) iz položaja „0“ na vama željenu toplotu od 30°C do 90°C. Lampice (B) i (C) će se razsvijetliti. Lampica (B) svijetli kada je aparat uključen. Lampica (C) svijetli ako su upaljeni grijači. Lampica (B) se gasi kada se postigne željena toplota. Aparat ćete isključiti kada regulator (E) okrenete na „0“. Redovno kontrolišite nivo vode, aparat nikada nemojte koristiti bez vode. Aparat uvijek imajte pod kontrolom i uvijek popunjen odgovarajućim gastro-posudama.

### Izlijevanje posude:

Posudu ćete izlijevati kada je voda ohladjena i aparat isključen iz struje.

Korisnik si treba pripremiti odgovarajuću posudu na ispuštenu vodu. Ta posuda mora biti od materijala otpornog na toplotu, a postavljena tako da ne bi došlo do prskanja ili izlijevanja vode iz nje. Time ćemo izbjeći eventualna oštećenja ostalih uređaja ili namještaja u neposrednoj blizini. Ručicu ventila okrenite u položaj „otvoreno“ i time ćete ispustiti vodu iz kade. Vodu ispuštajte samo kada je ohladjena.



**POZOR!** Aparat ne smijete čistiti vodom koja je pod pritiskom; npr. tuš, crijevo. Čistite ga svakodnevno. Dnevno održavanje produžava život i upotrebnu vrijednost aparata. Prije početka čišćenja, provjerite da li ste aparat isključili iz struje. Uvijek provjerite glavni dovod. Dijelove od nehrdjajućeg čelika čistite vlažnom krpom i tekućim deterdžentom za sudje, potom operite čistom vodom i detaljno osušite. Nemojte koristiti abrazivna ili korozivna sredstva za čišćenje.

Čišćenje grijača - izvucite box sa grijačima. Grijače očistite samo vlažnom krpom.

Šta učiniti u slučaju kvara?

Isključite aparat iz struje i nazovite autorizovani servis.

## **UPOZORENJE**

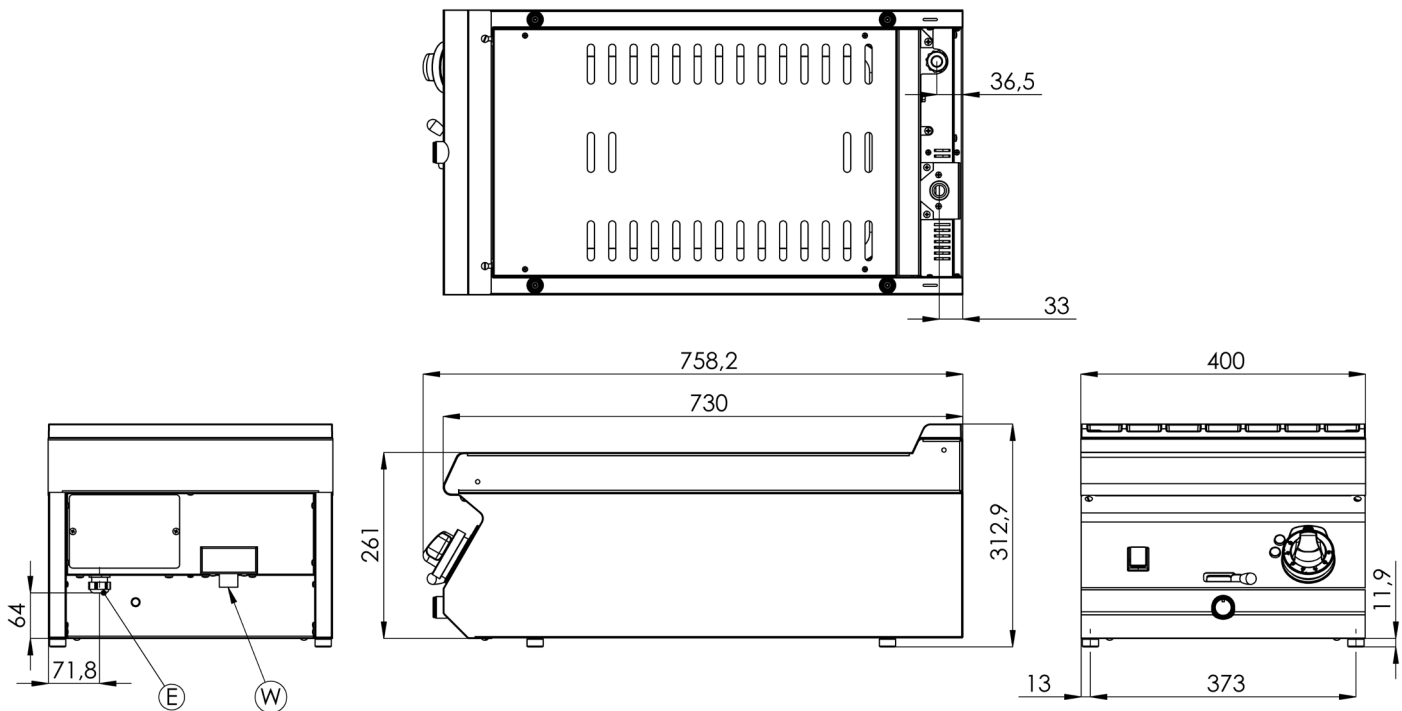
Garancija se ne odnosi na potrošne dijelove (kao što su: gumice, lampice, stakleni i plastični dijelovi...). Garancija se također ne odnosi na uređaj koji nije priključen i instaliran prema uputama, odgovornim serviserom, a prema danim normama. Isto tako, ukoliko su bile napravljene izmjene ili opravke koje nisu predviđene (oprave unutrašnje instalacije) ili ako je uređaj korišten nepoučenim ili neprofesionalnim osobljem, odnosno protivno instrukcijama navedenim u uputstvu za upotrebu. Također, garancija ne vrijedi ukoliko je aparat oštećen vanjskim ili klimatskim uticajima.

**Neophodno je provoditi kontrolu uređaja svakih 6 mjeseci. Tu kontrolu treba da provede autorizovani serviser. U slučaju ne dodržavanja ove preporuke, proizvođač se ogradjuje od bilo kakve odgovornosti za štetu na imovini ili zdravlju.**

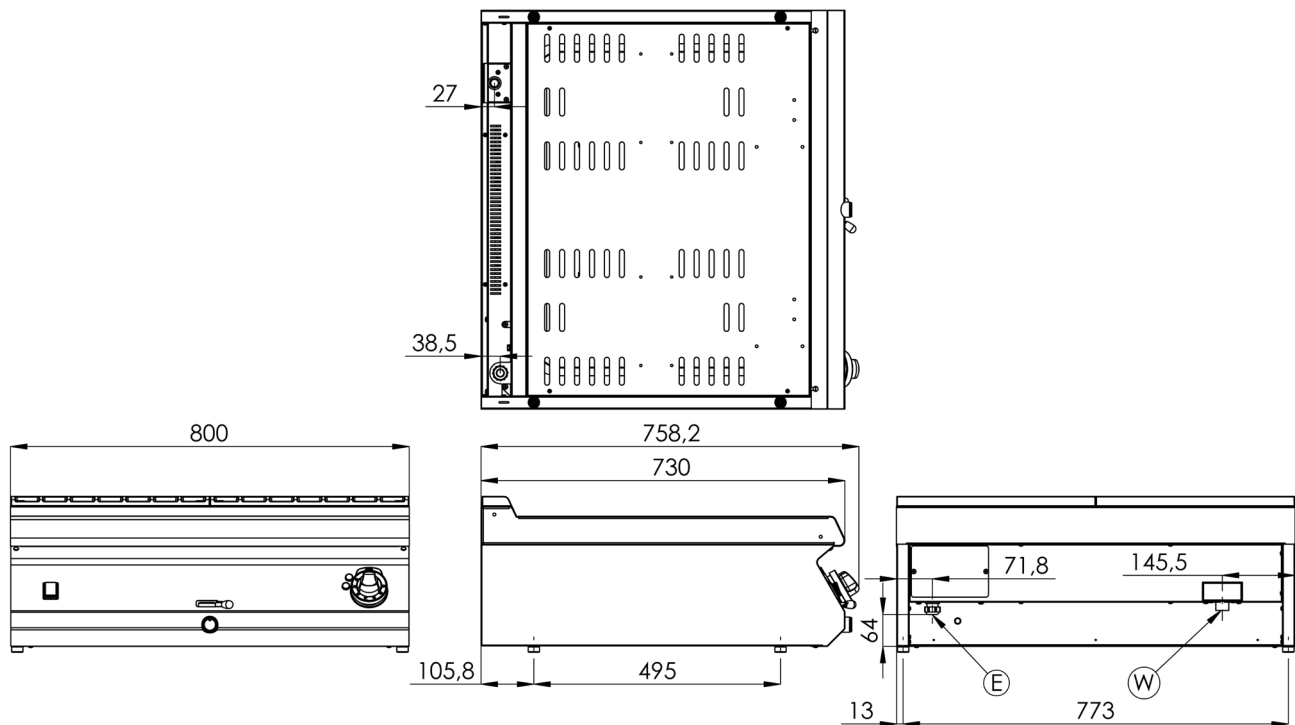
**Ambalažu pakovanja i uređaj poslije kraja njegove upotrebne vrijednosti, predajte na otpad, a to prema danim propisima o likvidaciji.**

# DIMENSIONALNA SLIKA

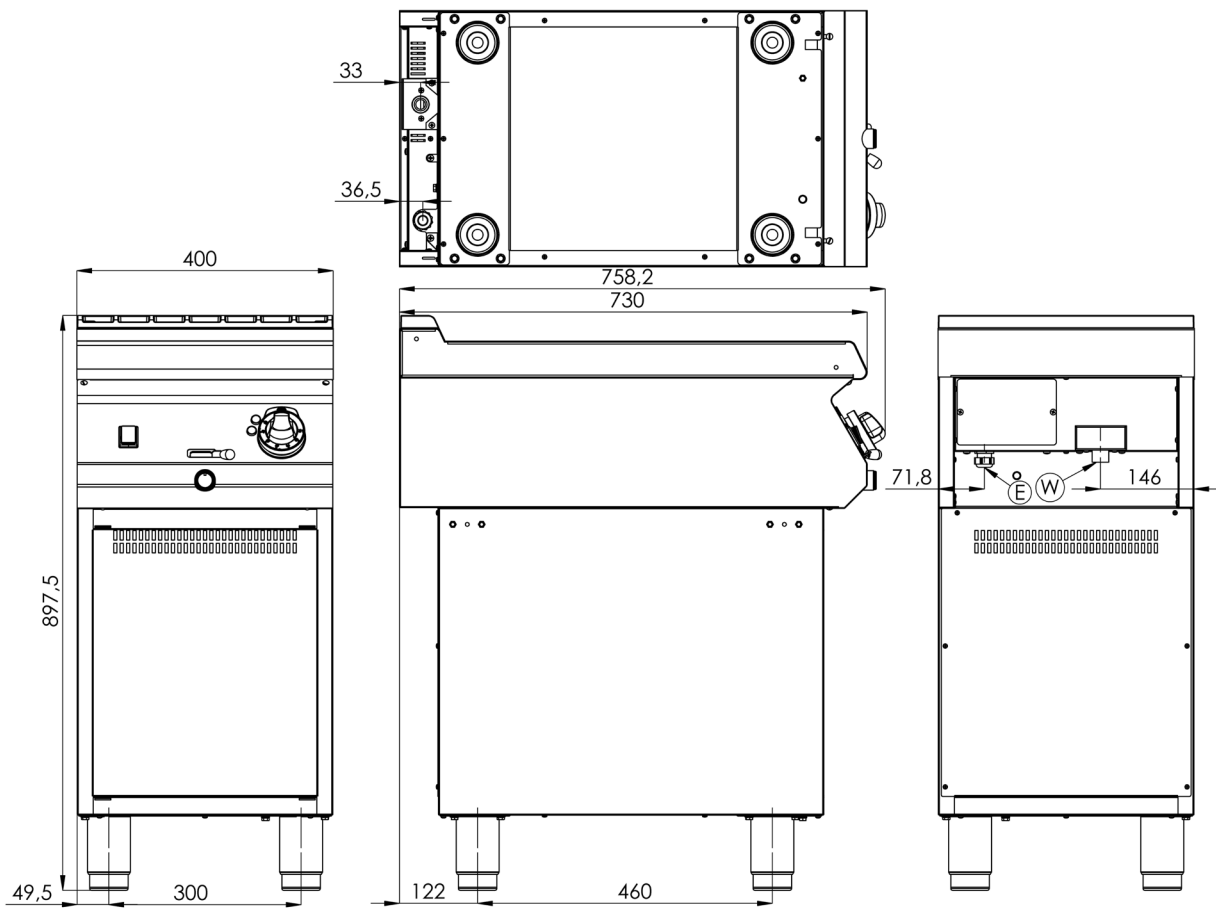
## BM - 704



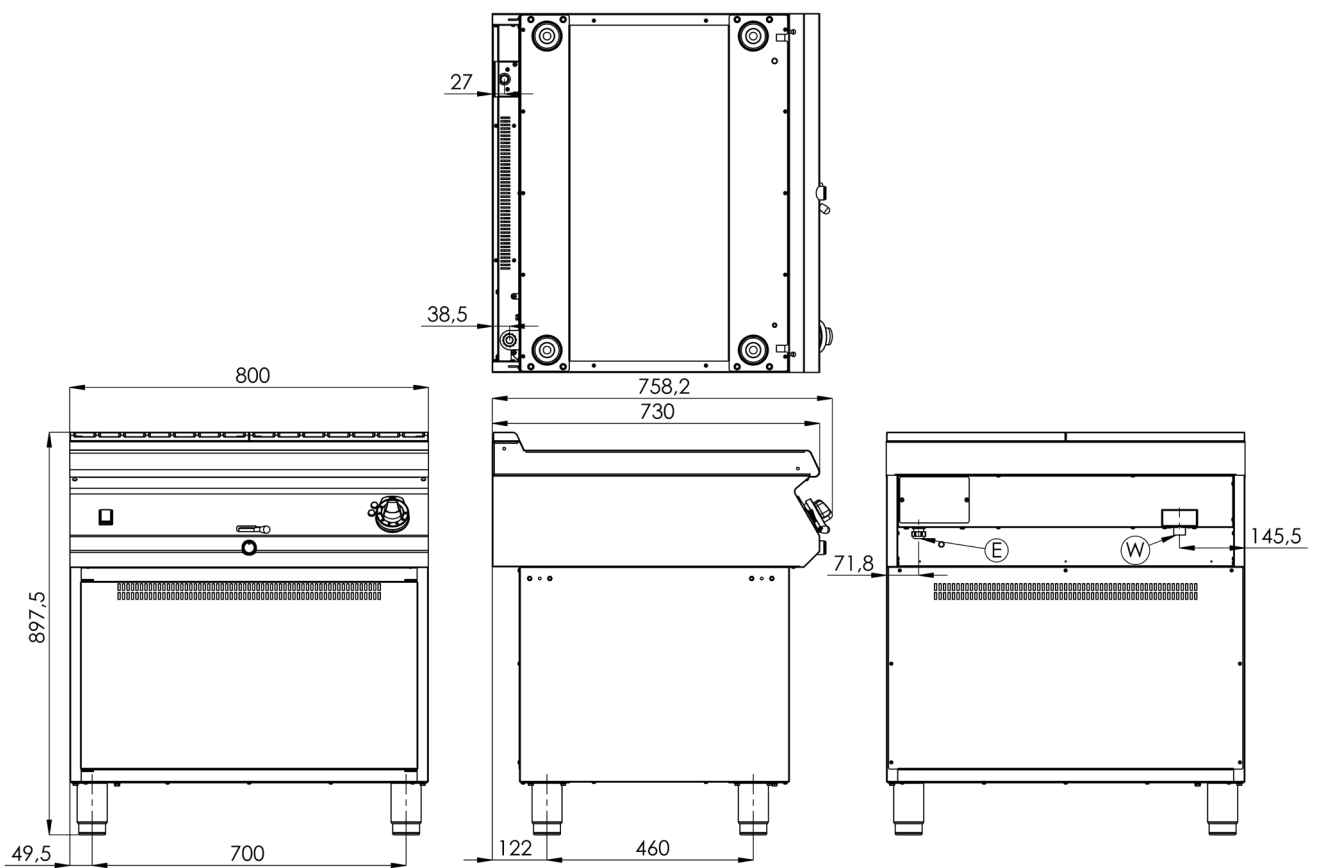
## BM - 708



# BM - 740

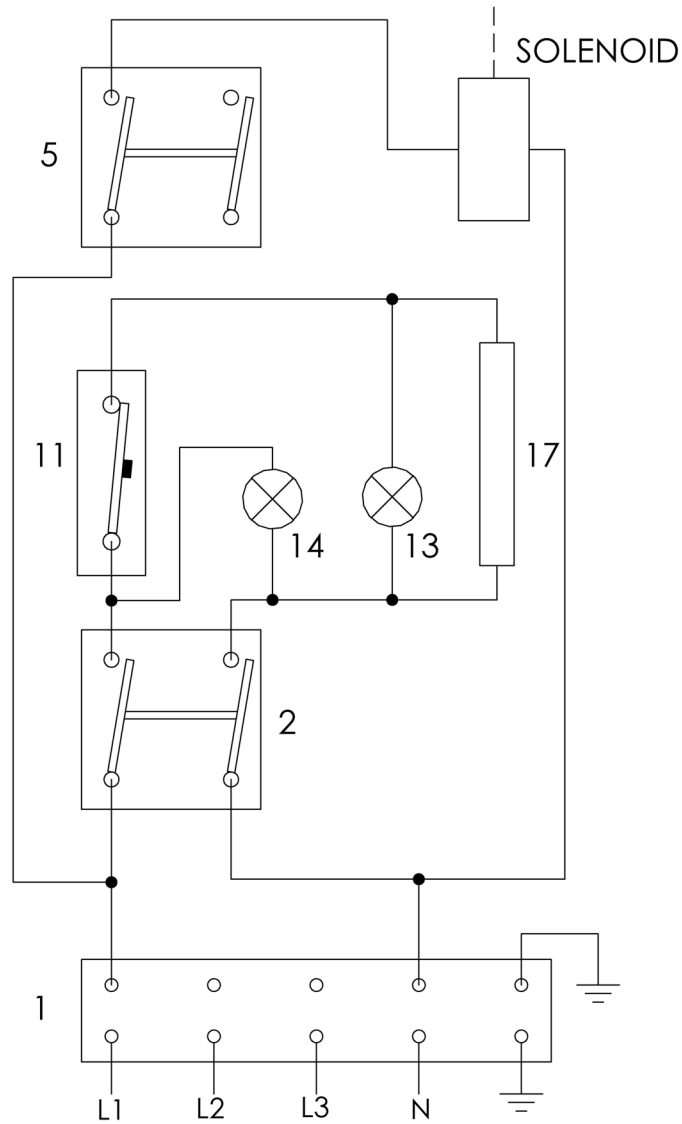


# BM - 780

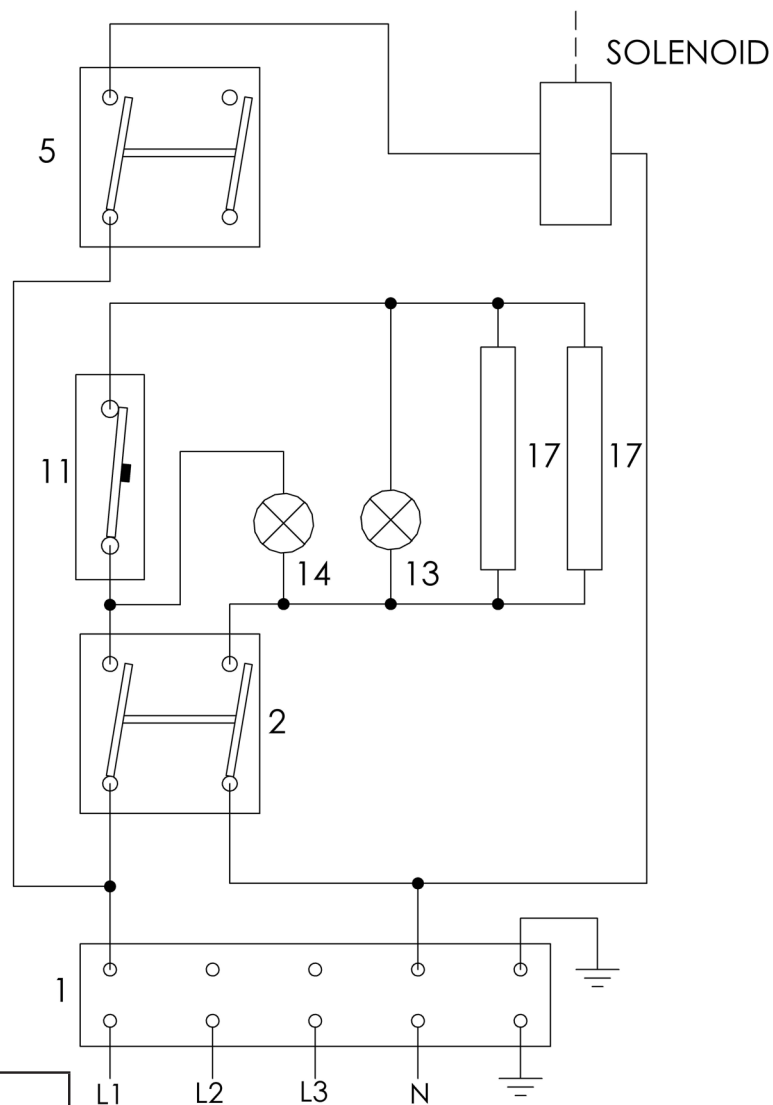


# SHEMA PRIKLJUČKA

BM - 704/740



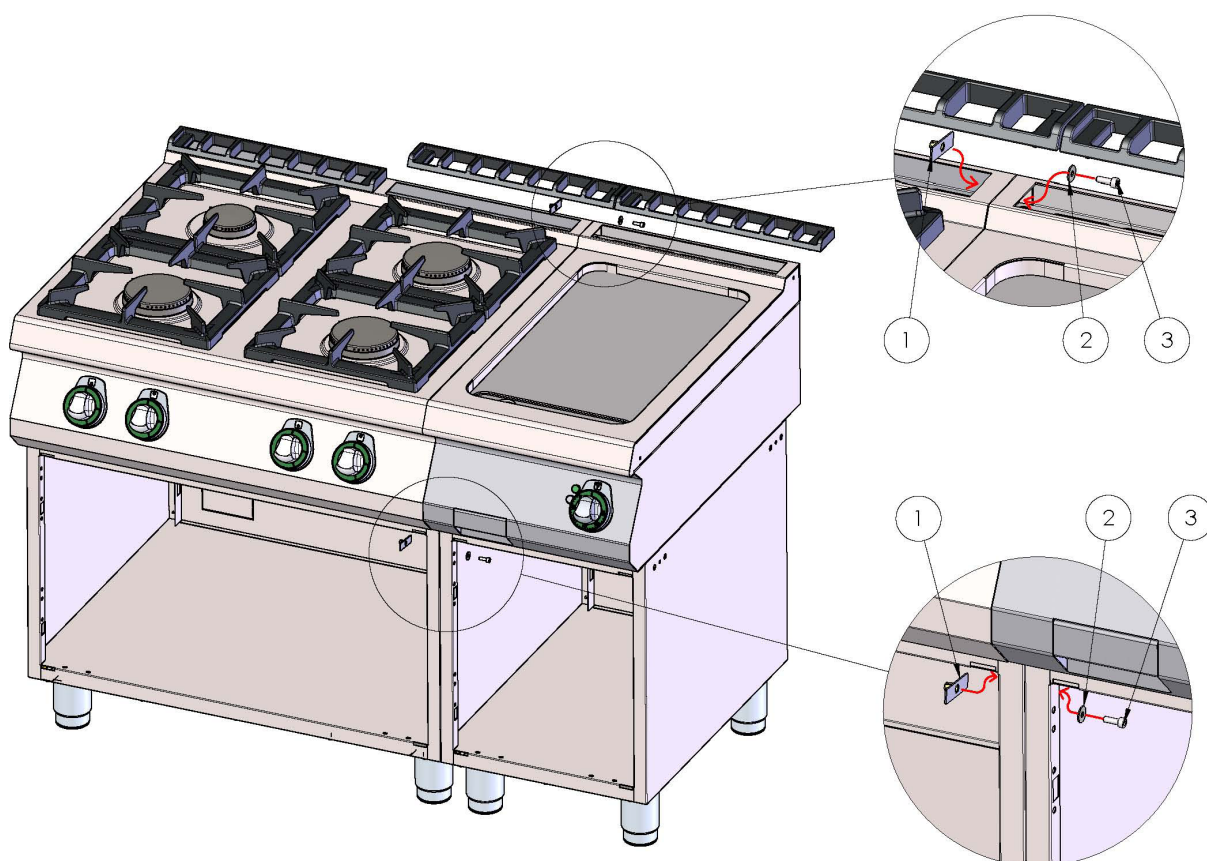
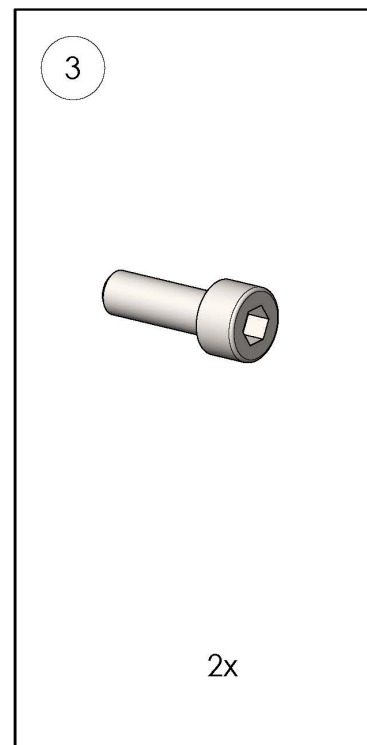
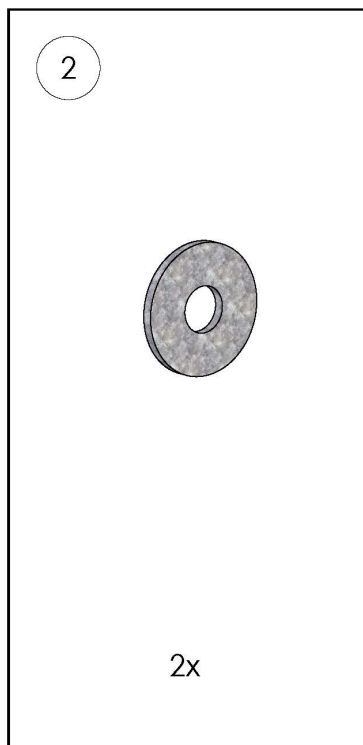
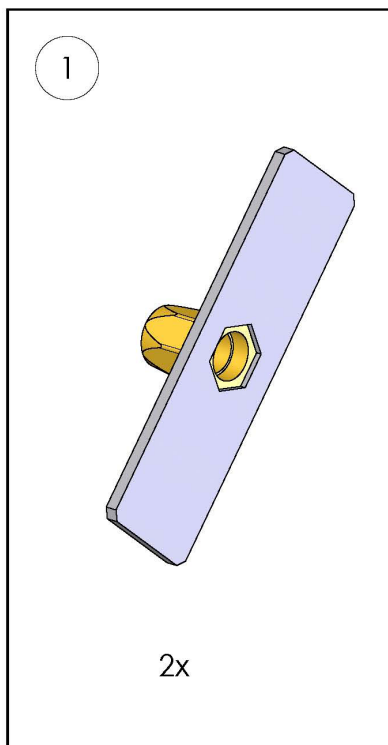
1	TERMINAL
2	SWITCH O / I
3	OSVIJETLJENA SWITCH O / I
4	PREBACITE ROTARY
5	PUSH BUTTON PREKIDAČI
6	PREKIDAČ
7	MICROSWITCH
8	RELEJNE
9	KONTAKTI RELEJA
10	TIMER
11	OPERATIVNI TERMOSTAT
12	SIGURNOSNI TERMOSTAT
13	ORANGE
14	ZELENO SVJETLO
15	DIODA
16	UNUTARNJA RASVJETA
17	GRIJAĆI ELEMENT



1	TERMINAL
2	SWITCH O / I
3	OSVIJETLJENA SWITCH O / I
4	PREBACITE ROTARY
5	PUSH BUTTON PREKIDAČI
6	PREKIDAČ
7	MICROSWITCH
8	RELEJNE
9	KONTAKTI RELEJA
10	TIMER
11	OPERATIVNI TERMOSTAT
12	SIGURNOSNI TERMOSTAT
13	ORANGE
14	ZELENO SVJETLO
15	DIODA
16	UNUTARNJA RASVJETA
17	GRIJAĆI ELEMENT



# priključak modula



## List of service organizations:

**CZ: RM GASTRO CZ s. r. o.**, Náchodská 818/16, Praha 9

Tel. +420 281 926 604, [info@rmgastro.cz](mailto:info@rmgastro.cz), [www.rmgastro.cz](http://www.rmgastro.cz)

**SK: RM Gastro Slovakia**, Rybárska 1, Nové Město nad Váhom

Tel.: +421 32 7717061, [obchod@rmgastro.sk](mailto:obchod@rmgastro.sk), [www.rmgastro.sk](http://www.rmgastro.sk)

**PL: RM GASTRO Polska Sp. z o. o.**, ul. Skoczowska 94, 43-450 Ustroń

Tel.: +33 854 73 26, [www.rmgastro.pl](http://www.rmgastro.pl)